

Technical data sheet

Sprung hinged anchor

Item number: 3481611



With threaded rod, washer and hexagonal nut; brass axle.



St Steel

G Electrogalvanized

Master data

Item number	3481611
Type	450 M4x95 G
Description 1	Sprung hinged anchor
Manufacturer	OBO
Dimension	M4x95mm
Material	Steel
Surface	Electrogalvanized
Surface standard	EN ISO 19598 / EN ISO 4042
Smallest sales unit	50
Unit of quantity	Piece
Weight	1.75 kg
Weight unit	kg/100 pc.

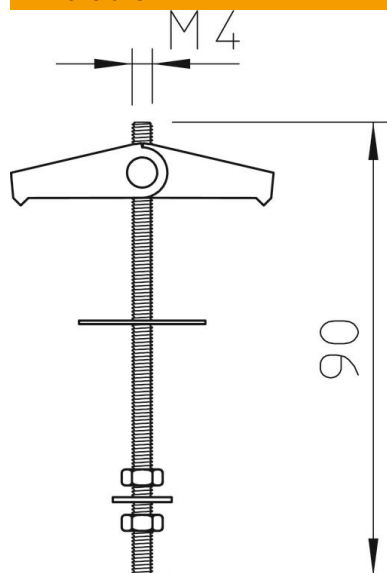
Technical data sheet

Sprung hinged anchor

Item number: 3481611



Dimensions



Length 90 mm

Technical data

Version for	With threaded shaft
Drill hole	14 mm
Drill hole diameter, min.	14 mm
Breaking load	0.2 kN
Thread	M4
Thread type	Metric
Minimum cavity depth	35 mm
With washer	yes
Protection ring for ceramics	no