

Technical data sheet

Connection component for bracket, type AW15

Item number: 7207060



Connection component to accept a threaded rod. Mounting on the tip of the bracket, type AW15. Prevents sagging of the cable support system when subjected to fire load. Including 2 M8 x 16 truss-head bolts and combination nuts. 1 connection component, type AB AW..., and 2 truss-head screws, M8 x 16, incl. combination nut.



St	Steel
FT	Hot-dip galvanised

Master data

Item number	7207060
Type	AB AW 15 FT
Description 1	Connection component for AW15
Description 2	as threaded rod adapter
Manufacturer	OBO
Dimension	127x28x30
Colour	zinc
Material	Steel
Surface	Hot-dip galvanised
Surface standard	DIN EN ISO 1461
Smallest sales unit	1
Unit of quantity	Piece
Weight	8.5 kg
Weight unit	kg/100 pc.
CO2 Footprint (GWP) Cradle-to-Gate	0,2937 kg CO2e / 1 Piece

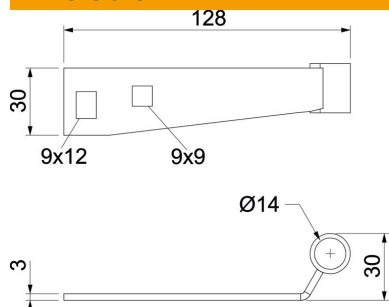
Technical data sheet

Connection component for bracket, type AW15

Item number: 7207060



Dimensions



Technical data

Maintain electrical functions	no
Rustproof steel, pickled	no