

Technical data sheet

Circular band saw for Deskbox DBV

Item number: 6116994



Circular band saw as a mounting tool for precise installation of a Deskbox of type DBV, drill hole diameter 102 mm.
The ready-for-connection type DBV Deskbox is particularly suitable for the direct supply of workstations with energy, communication and data technology connections.

Master data

Item number	6116994
Type	DBZ-LS
Description 1	Circular band saw
Description 2	for lowerable Deskbox
Manufacturer	OBO
Smallest sales unit	1
Unit of quantity	Piece
Weight	100 kg
Weight unit	kg/100 pc.

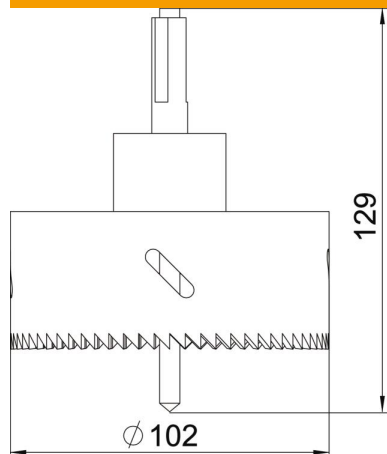
Technical data sheet

Circular band saw for Deskbox DBV

Item number: 6116994



Dimensions



Technical data

Extendable | yes