

Technical data sheet

HoverCube VH-4, empty housing

Item no. 6109801



Empty housing with suspension lug and grip hook, for the installation of four electrical resources, with included partition. Without cover plates.

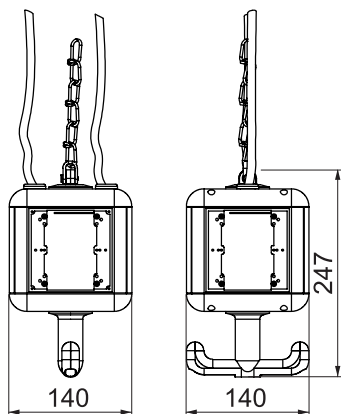


PA Polyamide

Master data

Item no.	6109801
Type	VH-4 LG RW
Description 1	HoverCube
Description 2	IP20, with grip, empty
Dimension	140x140x252
Colour	Pure white
RAL number	9010
Material	Polyamide
Material symbol	PA
Smallest sales unit (VG)	1 Piece
Weight	72,00 kg/100 pc.

Technical data



Width	140,00 mm
Height	237,00 mm
Depth	140,00 mm
Protection	Without
Number of SCHUKO sockets	0
Type of mains connection	Other
CEE socket, 125 A	Without
CEE socket, 16 A	Without
CEE socket, 32 A	Without
CEE socket, 63 A	Without
Supply/connection option	2 Leitungen (Ringleitung/zum Durchschleifen)
FI protection switch	Without
Handling	abhängbar
Military version	<input type="checkbox"/>
Protection rating	IP20
Other installations and/or empty slots	0