

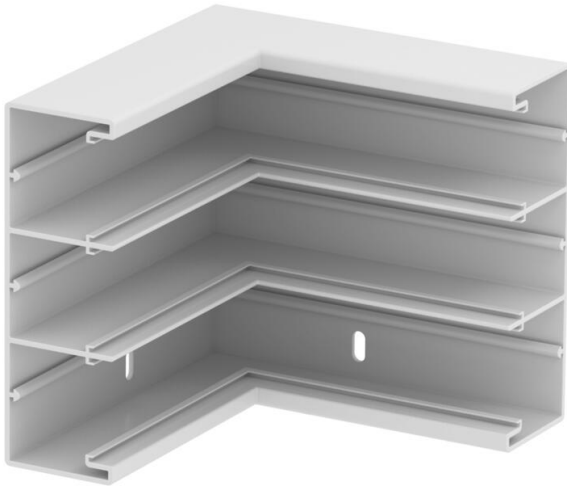
Technical data sheet

Internal corner, for device installation trunking Rapid 45-2
type GK-53160

Item number: 6116203



Rigid 90° internal corner for changing the direction of the Rapid 45 three-compartment device installation trunking.
Modul 45 devices can be clicked on directly.



PVC Polyvinylchloride

Master data

Item number	6116203
Type	GEK-KIS53160-3
Description 1	Internal corner
Description 2	rigid form
Manufacturer	OBO
Dimension	53x160mm
Colour	Pure white; RAL 9010
Material	Polyvinylchloride
Smallest sales unit	1
Unit of quantity	Piece
Weight	48.1 kg
Weight unit	kg/100 pc.
CO2 Footprint (GWP) Cradle-to-Gate	1,7523 kg CO2e / 1 Piece

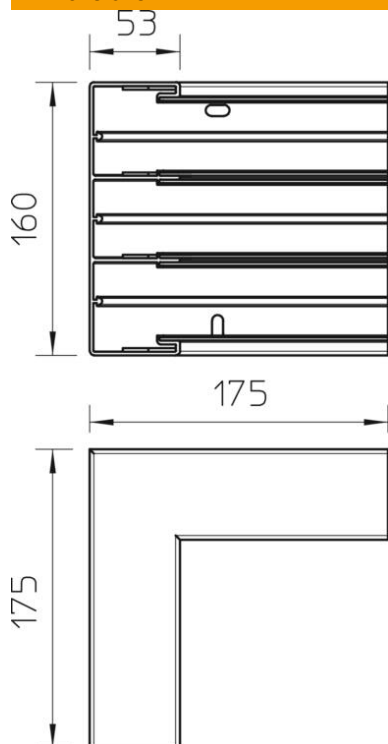
Technical data sheet

Internal corner, for device installation trunking Rapid 45-2
type GK-53160

Item number: 6116203



Dimensions



Length	175 mm
Width	160 mm
Height	53 mm

Technical data

Number of covers	3
Version for	Base
Shape	Symmetrical
for duct dimension	53 x 100 mm
for duct width	100 mm
for trunking height	53 mm
Halogen-free	no
Cable retaining clip	no
Duct connector	no
Cover mounting type	Internal
Mounting perforation in base	yes
Cover width	45 mm
Cover width 2	45 mm
Cover width 3	45 mm
Protection rating	IP30
Protective film	no
Protection rating IK code	IK08
Permitted temperature range, max.	60 °C
Permitted temperature range, min.	-15 °C
Angle range, max.	90 mm

Technical data sheet

Internal corner, for device installation trunking Rapid 45-2
type GK-53160
Item number: 6116203



Technical data

Angle range, min.	90 mm
-------------------	-------