

Technical data sheet

Flat angle cover, fluted

Item number: 6274590



Flat angle cover, fluted surface.



PVC Polyvinylchloride

Master data

Item number	6274590
Type	GK-OTKFRW
Description 1	Cover
Description 2	flat angle, fluted
Manufacturer	OBO
Colour	Pure white; RAL 9010
Material	Polyvinylchloride
Smallest sales unit	1
Unit of quantity	Piece
Weight	20 kg
Weight unit	kg/100 pc.

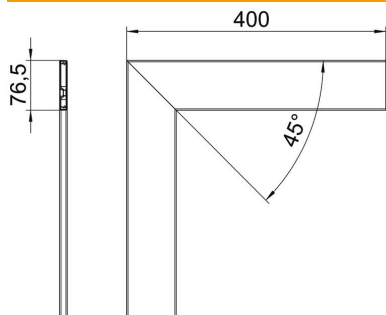
Technical data sheet

Flat angle cover, fluted

Item number: 6274590



Dimensions



Length	400 mm
Width	76.5 mm

Technical data

Version for	Profiled
Halogen-free	no
Cover mounting type	Internal
Protection rating	IP30
Protective film	yes
Protection rating IK code	IK08
Permitted temperature range, max.	60 °C
Permitted temperature range, min.	-15 °C