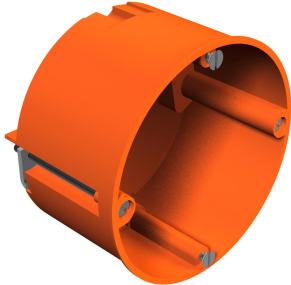


# Technical data sheet

## Cavity wall accessory socket



Item number: 2003414



Cavity wall accessory socket Dimensions to DIN 49073-1, for plate thickness 7–35 mm. Standard combination spacing 71 mm, option of through-wiring using connection supports when combining accessory sockets and accessory connection sockets, 8 break-out openings for NYM cables, data cables and pipes of Ø 20 mm. Accessory sockets can also be used as connection sockets in accordance with VDE 0606-1 with double screw fastening and screw-on cover, protection rating IP30. Twelve connection pieces included.  
According to IEC 60670-1, IEC 60670-22 and DIN 49073-1.



**PP** Polypropylene

### Master data

Item number	2003414
Type	HG 60
Description 1	Box, empty
Description 2	cavity wall
Manufacturer	OBO
Dimension	Ø68mm, H45mm
Colour	Orange
Material	Polypropylene
Smallest sales unit	25
Unit of quantity	Piece
Weight	2.18 kg
Weight unit	kg/100 pc.

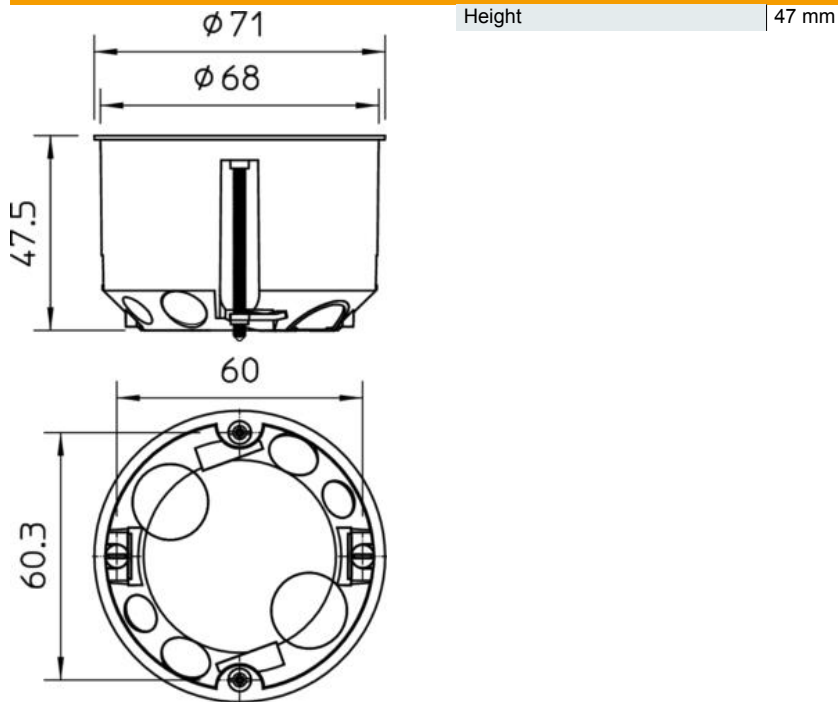
# Technical data sheet

## Cavity wall accessory socket



Item number: 2003414

### Dimensions



# Technical data sheet

## Cavity wall accessory socket



Item number: 2003414

### Technical data

No. of entries	8
Number of switch boxes	1
Type of entry	break-out openings for NYM cables, data cables and pipes Ø 20 mm
Type of housing penetration	Sealing membrane
Version for	Single
Type	Accessory socket
Device fixing	Screws ,
Equipment	Without
Cover	Without
Cover fastening	Not applicable
Entry from rear	yes
Entries	8
Flame-resistant	Acc. to VDE 0471/DIN 695 Part 2-1, test temperature 850°C
Shape	Round
Milling hole diameter	68 mm
Maintain electrical functions	Without
Floor height, min.	47 mm
for pipe diameter	20 mm
Suitable for plate thickness, max.	35 mm
Suitable for plate thickness, min.	7 mm
Accessory screw clearance	60 mm
Halogen-free	yes
Max. Conductor cross-section	2.5 mm <sup>2</sup>
With screening	no
With nail strap	no
With bolts	yes
Mounting type	Cavity wall
Nominal cross-section, max.	2.5 mm <sup>2</sup>
Nominal cross-section, min.	1.5 mm <sup>2</sup>
Sealable	no
Impact-resistant	no
Protection rating	IP30
Support	Without
Airtight	no
Rated voltage	400 V