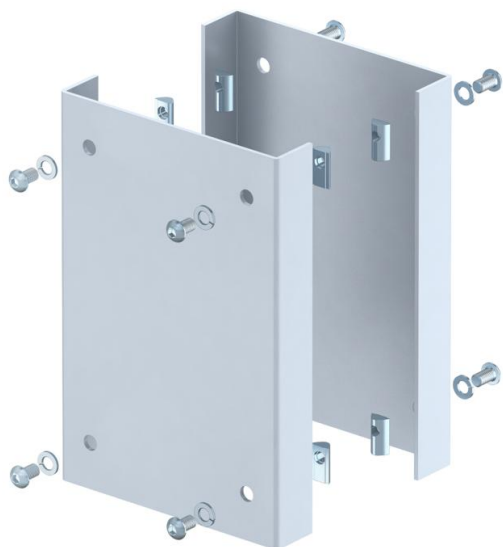


Technical data sheet

Collision guard for industrial pole

Item number: 6290422



Collision guard as mechanical protection of the ISS industrial pole in the bottom area. The scope of delivery comprises of two U-shaped protection profiles made from 3 mm sheet steel and eight fastening screws with slot nuts to install on the pole profile.



St Steel

Master data

Item number	6290422
Type	ISS160160AS WA
Description 1	Collision protection
Description 2	for install. column, industry
Manufacturer	OBO
Dimension	250x166x33mm
Colour	White aluminium; RAL 9006
Material	Steel
Smallest sales unit	1
Unit of quantity	Piece
Weight	264 kg
Weight unit	kg/100 pc.

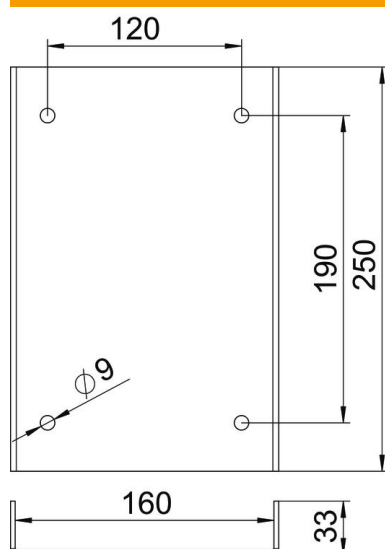
Technical data sheet

Collision guard for industrial pole

Item number: 6290422



Dimensions



Length	250 mm
Width	166 mm
Height	33 mm

Technical data

Type of accessory	Arrival protection
Halogen-free	yes
Protection rating	IP30
Protection rating IK code	IK10
Permitted temperature range, max.	60 °C
Permitted temperature range, min.	-25 °C