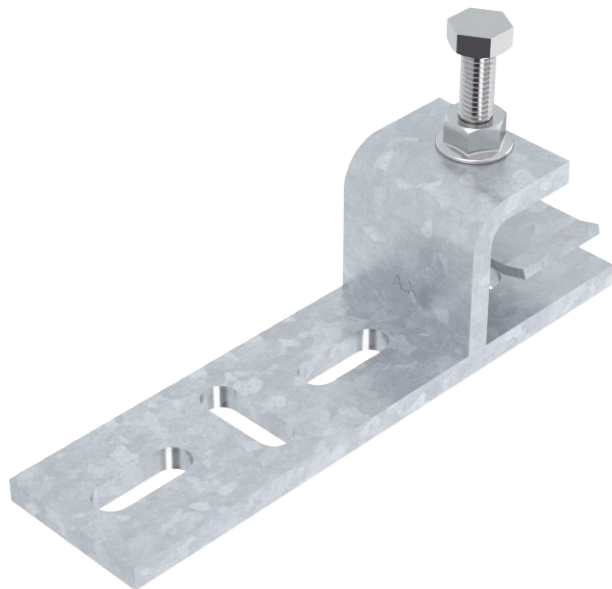


# Technical data sheet

## Beam clamp with pressure plate, horizontal BFK 153

Item no. 6003885



Beam clamp with pressure plate for clamping on the steel girder.

The cable support system attached to the beam clamp runs horizontally.

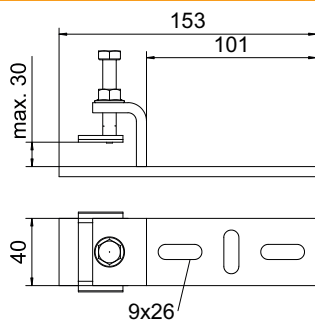


<b>St</b>	Steel
<b>FT</b>	Hot-dip galvanised

### Master data

Item no.	6003885
Type	BFKD 153 44 FT
Description 1	Clamping piece
Description 2	for max. supp. thickness 28 mm
Dimension	153x40x44mm
Material	Steel
Material symbol	St
Surface	Hot-dip galvanised
Surface to DIN	DIN EN ISO 1461
Surface symbol	FT
Smallest sales unit (VG)	10 Piece
Weight	41,40 kg/100 pc.

### Technical data



Width	153,00 mm
Height	28,00 mm
Dimension B	153,00 mm
Dimension B1	101,00 mm
Dimension b	101,00 mm
Version	Other
Suitable for	C profile
Suitable for maintaining electrical function	<input type="checkbox"/>
Material thickness	6,00 mm
With screw accessories	<input type="checkbox"/>
Adjustable	<input checked="" type="checkbox"/>