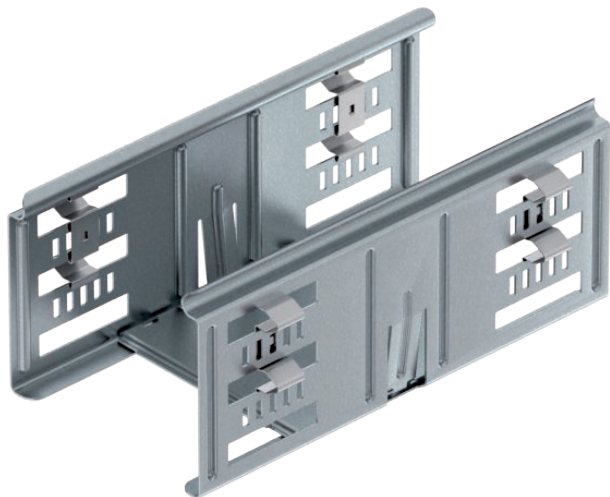


Technical data sheet

Magic straight connector set 85

Item no. 6069024



Cable tray connector with quick fastening for the screwless connection of perforated cable trays with a side height of 85 mm.

The optimised design means that the connector can be used to create radii and as a length compensation piece for large temperature deviations.



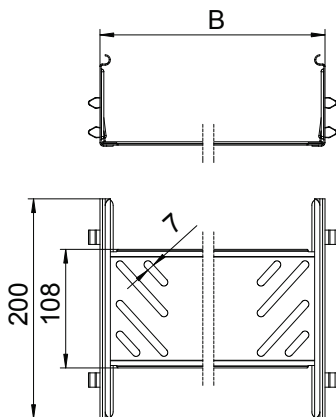
St Steel

DD Strip galvanised zinc/aluminium, Double Dip

Master data

Item no.	6069024
Type	KTSMV 810 DD
Description 1	Straight connector set
Description 2	for cable tray Magic
Dimension	85x100x200
Material	Steel
Material symbol	St
Surface	Strip galvanised zinc/aluminium, Double Dip
Surface to DIN	DIN EN 10346
Surface symbol	DD
Smallest sales unit (VG)	1 Piece
Weight	37,10 kg/100 pc.

Technical data



Length	200,00 mm
Width	100,00 mm
Side height	85,00 mm
Dimension B	100,00 mm
Dimension	85x100 mm
Version	Straight connector
Plate thickness	1,00 mm
Suitable for cable tray system height	85,00 mm
Suitable for cable tray	<input checked="" type="checkbox"/>
Suitable for mesh cable tray	<input type="checkbox"/>
Suitable for cable ladder	<input type="checkbox"/>
Suitable for maintaining electrical function	<input type="checkbox"/>
Adjustable connector, horizontal	<input type="checkbox"/>
Adjustable connector, vertical	<input type="checkbox"/>
Rustproof steel, pickled	<input type="checkbox"/>
Connection type	Screwless connector