

Technical data sheet

Nail anchor N with thread, V4A

Item no. 3498399



The nail anchor N can be used for multiple fastenings of non-load-bearing systems, indoors and outdoors, in cracked and non-cracked concrete, thereby combining the benefits of a bolt tie with even easier mounting. The nail anchor only needs to be hammered into the drill hole. It is not necessary to apply torque subsequently. When the load occurs, the nail anchor spreads itself and bolts itself in the drill hole.

European technical approval ETA-11/0240, including characteristic values under fire exposure to fire resistance R 120.



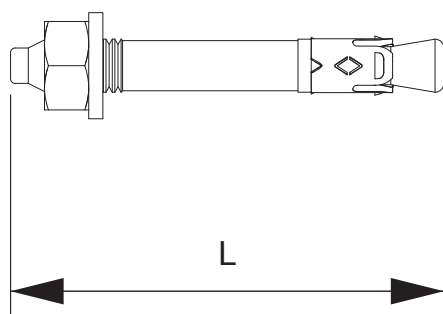
A4 Stainless steel, rustproof

2B Bright, reworked

Master data

Item no.	3498399
Type	N 6-5/49 A4
Description 1	Nail anchor N
Description 2	with thread M6
Dimension	6x49mm
Material	Stainless steel, material A4
Material symbol	A4
Surface	Bright, reworked
Surface symbol	2B
Smallest sales unit (VG)	50 Piece
Weight	1,20 kg/100 pc.

Technical data



Length	49,00 mm
Dimension L	49,00 mm
Version	Lightning strike
Fastening unit	Other
Drill hole depth	40,00 mm
Drill hole diameter	6,00 mm
Clamping strength	5,00 mm
Thread	M6
Thread metric	6
Self-drilling	<input type="checkbox"/>
Approvals available	<input checked="" type="checkbox"/>