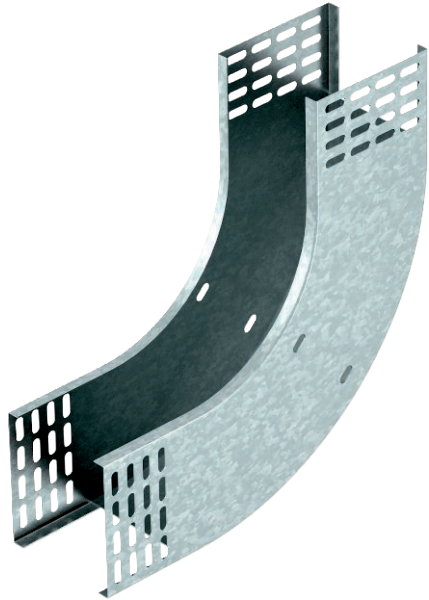


Technical data sheet

90° vertical bend, rising, 110

Item no. 7007310



90° rising vertical bend, for all cable tray types of 110 mm side height.

The vertical bend is pushed over the end of the cable tray and screwed tight. Fastening materials should be ordered separately.

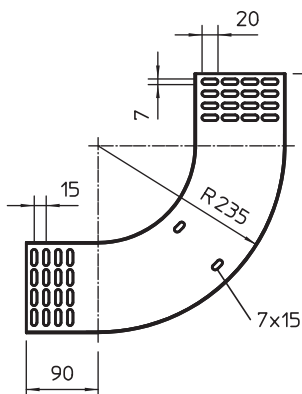


- St** Steel
- FS** Strip galvanised

Master data

Item no.	7007310
Type	RBV 110 S FS
Description 1	90° vertical bend
Description 2	rising
Dimension	110x100
Material	Steel
Material symbol	St
Surface	Strip galvanised
Surface to DIN	DIN EN 10346
Surface symbol	FS
Smallest sales unit (VG)	1 Piece
Weight	120,10 kg/100 pc.

Technical data



Width	100,00 mm
Side height	110,00 mm
Dimension B	100,00 mm
Bend (angle)	90°
Connector version	Without connectors
Plate thickness	1,00 mm
Suitable for maintaining electrical function	<input type="checkbox"/>
Mounting perforation in base	<input type="checkbox"/>
NATO hole pattern	<input type="checkbox"/>
Change of direction	Vertical rising
Rustproof steel, pickled	<input type="checkbox"/>
Side perforation	<input type="checkbox"/>
Wide-span version	<input type="checkbox"/>