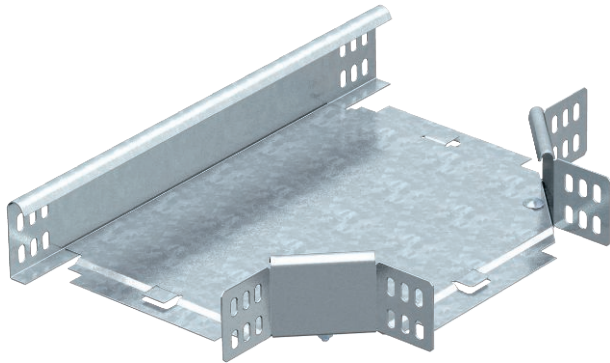


Technical data sheet

T branch piece 60

Item no. 7117116



Horizontal T branch piece, for all cable tray types of 60 mm side height.

The fitting is shipped in an unmounted state. All the sides are designed for the same cable tray width.

Including appropriate fastening material.

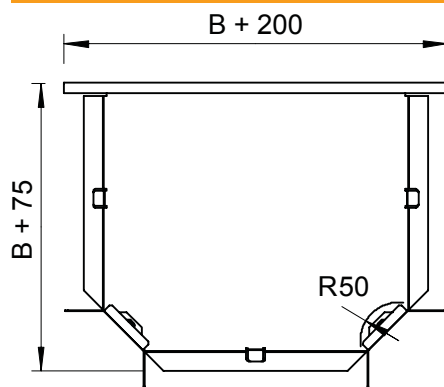


St	Steel
FT	Hot-dip galvanised

Master data

Item no.	7117116
Type	RT 610 FT
Description 1	T-branch piece
Description 2	horizontal + angle connector
Dimension	60x100
Material	Steel
Material symbol	St
Surface	Hot-dip galvanised
Surface to DIN	DIN EN ISO 1461
Surface symbol	FT
Smallest sales unit (VG)	1 Piece
Weight	89,90 kg/100 pc.

Technical data



Width	100,00 mm
Side height	60,00 mm
Dimension B	100,00 mm
Dimension R	50,00 mm
Connector version	Supplied connectors
Shape	T piece horizontal
Dimension	300 x 175 x 60 mm
Suitable for maintaining electrical function	<input type="checkbox"/>
Rail thickness	1,25 mm
Material thickness, floor plate	1,00 mm
NATO hole pattern	<input type="checkbox"/>
Rustproof steel, pickled	<input type="checkbox"/>
Wide-span version	<input type="checkbox"/>