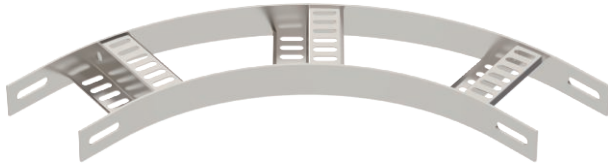


Technical data sheet

90° bend, 35

Item no. 7099241



90° bend for shipbuilding cable ladders, type SLZ L, with side height of 35 mm with welded, perforated Z-rungs.

Connectors should be ordered separately and in the appropriate quantity.

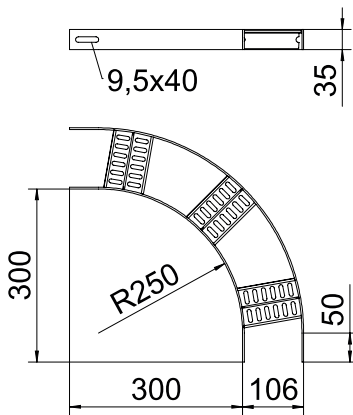
VA Stainless steel, rustproof 1.4301

2B Bright, reworked

Master data

Item no.	7099241
Type	SLZB L 90 100 A2
Description 1	90° bend
Description 2	with Z-rung
Dimension	B106mm
Material	Stainless steel, material no. 1.4301
Material symbol	A2
Surface	Bright, reworked
Surface symbol	2B
Smallest sales unit (VG)	1 Piece
Weight	113,00 kg/100 pc.

Technical data



Width	100,00 mm
Side height	35,00 mm
Dimension R	250,00 mm
Bend (angle)	90°
Connector version	Without connectors
Rung version	Profile perforated
Side rail version	Flat profile
Suitable for maintaining electrical function	<input type="checkbox"/>
Rail thickness	3,00 mm
Change of direction	Horizontal
Rustproof steel, pickled	<input checked="" type="checkbox"/>
Hinged	<input type="checkbox"/>
Side perforation	<input type="checkbox"/>
Wide-span version	<input type="checkbox"/>