

# Technical data sheet

## Head plate, heavy-duty A4

Item number: 6349279



Heavy-duty head plate for installation in US 7 supports.  
Please order fastening material (two truss-head bolts FRS 12 x 25) separately.



**A4** Stainless steel

**2B** Bright, treated

### Master data

Item number	6349279
Type	KUS 7 A4
Description 1	Head plate
Description 2	for US 7 support
Manufacturer	OBO
Dimension	200x100
Colour	stainless steel
Material	Stainless steel 1.4571
Surface	Bright, treated
Surface standard	
Smallest sales unit	1
Unit of quantity	Piece
Weight	140 kg
Weight unit	kg/100 pc.
CO2 Footprint (GWP) Cradle-to-Gate	7,5893 kg CO2e / 1 Piece

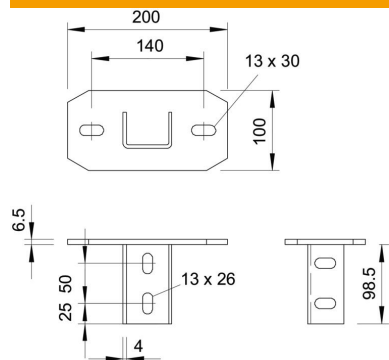
# Technical data sheet

## Head plate, heavy-duty A4

Item number: 6349279



### Dimensions



Length	200 mm
Width	100 mm
Height	105 mm

### Technical data

Version for	Screw head plate
Suitable for ceiling fastening	yes
Suitable for panel fastening	no
Suitable for profile shapes	U profile
Rustproof steel, pickled	no
Angle range, max.	90 mm
Angle range, min.	90 mm