

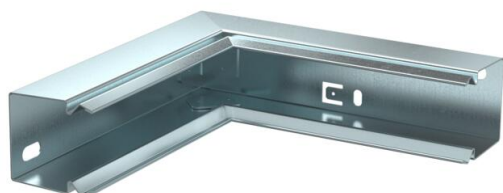
# Technical data sheet

Internal corner, for cable trunking type LKM 40060

Item number: 6247660



Internal corner for changing the direction of LKM ducts.  
Equipotential bonding without additional aids, between base and cover



**St** Steel

**FS** Strip galvanized

## Master data

Item number	6247660
Type	LKM I40060FS
Description 1	Internal corner
Manufacturer	OBO
Dimension	40x60mm
Colour	zinc
Material	Steel
Surface	Strip galvanized
Surface standard	DIN EN 10346
Smallest sales unit	1
Unit of quantity	Piece
Weight	31.4 kg
Weight unit	kg/100 pc.
CO2 Footprint (GWP) Cradle-to-Gate	1,4304 kg CO2e / 1 Piece

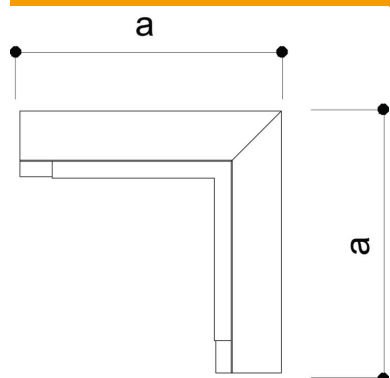
# Technical data sheet

Internal corner, for cable trunking type LKM 40060

Item number: 6247660



## Dimensions



Length	160 mm
Width	60 mm
Height	44 mm
Dimension a	160 mm

## Technical data

Version for	Base
Fastening type	Base perforation
Maintain electrical functions	no
Halogen-free	yes
Protection rating	IP30
Protective film	no
Protection rating IK code	IK10
Permitted temperature range, max.	90 °C
Permitted temperature range, min.	-5 °C
Angle range, max.	90 mm
Angle range, min.	90 mm