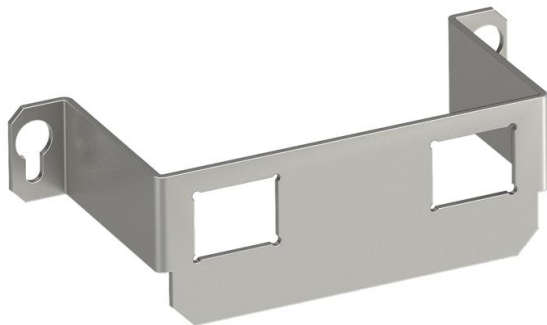


Technical data sheet

Mounting support, 2 x type C

Item number: 7407596



Mounting support to accept two data connection modules of the following types:
Brand-Rex: shielded; EKU: E-Stone; Dätwyler: KS-T, MS-K and KU-T module;
R&M: Snap-In and Keystone; Rutenbeck: UM and UMflex; SETEC: MKJ, UKJ and XKJ; Siemon TERA; Telegärtner: AMJ and UMJ.
Dimensions of a mounting opening in mm: 19.30 x 14.80.
Suitable for GE2 / UDHome2 installation unit with floor covering recess.
Suitable for GE2 installation unit with floor covering recess.



A2 Stainless steel

Master data

Item number	7407596
Type	MTGE2 15 2C
Description 1	Mounting plate for GE2 17
Description 2	with 2x hole pattern type C
Manufacturer	OBO
Dimension	118x47x34
Material	Stainless steel
Smallest sales unit	1
Unit of quantity	Piece
Weight	5.5 kg
Weight unit	kg/100 pc.

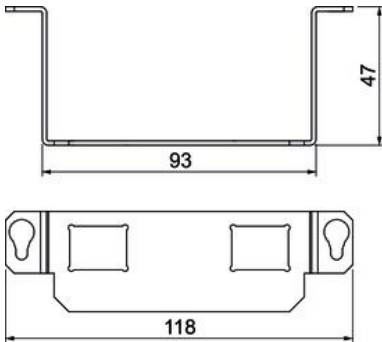
Technical data sheet

Mounting support, 2 x type C

Item number: 7407596



Dimensions



Length 118 mm

Technical data

Version for	Support shape
Fastening type	Lockable
Labelling panel	no
Floor covering protection frame	no
Floor plate	no
Lowerable to be flush-floor	no
Seal installation option	no
Installation opening for on-floor tank	no
Decouplable	no
Suitable for raised floor installation	yes
Suitable for screed-flush closed underfloor ducts	yes
Suitable for screed-covered underfloor ducts	yes
Suitable for cavity floor installation	yes
Suitable for underfloor ducts	yes
With floor covering recess	no
Accessory mounting type	Bolts
Heavy-duty version	no
Depth	47 mm
Strain relief option	yes