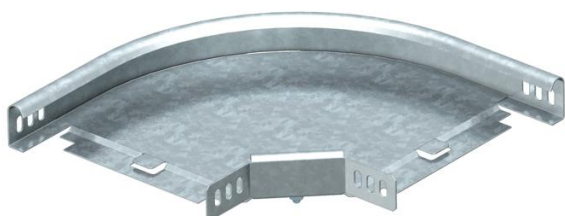


# Technical data sheet

## 90° bend 35 FS

Item number: 6043119



90° bend, horizontal, for all cable tray types of 35 mm side height.  
The fitting is shipped in an unmounted state.  
Including appropriate fastening material.



**St** Steel

**FS** Strip galvanized

### Master data

Item number	6043119
Type	RB 90 310 FS
Description 1	90° bend
Description 2	horizontal + angle connector
Manufacturer	OBO
Dimension	35x100
Material	Steel
Surface	Strip galvanized
Surface standard	DIN EN 10346
Smallest sales unit	1
Unit of quantity	Piece
Weight	31.1 kg
Weight unit	kg/100 pc.

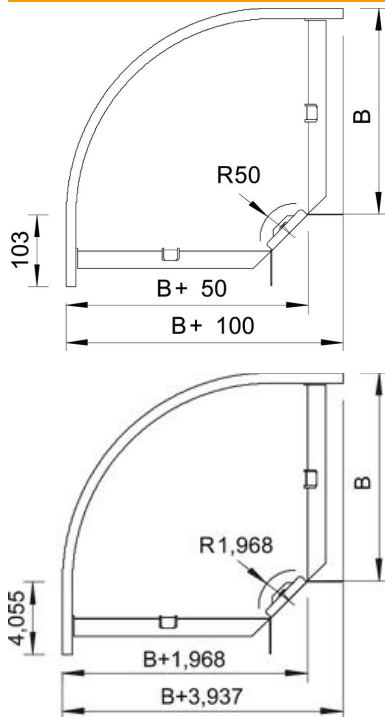
# Technical data sheet

90° bend 35 FS

Item number: 6043119



## Dimensions



Width	100 mm
Width	4 in
Height	35 mm
Height	1 in
Dimension B	100 mm
Dimension R	50 mm

## Technical data

Bend (angle)	90°
Connector version	Supplied connectors
Type	Bend, rigid
Maintain electrical functions	no
With cover	no
Mounting perforation in base	no
NATO hole pattern	no
Change of direction	Horizontal
Rustproof steel, pickled	no
Side perforation	no
Wide-span version	no
Type of connector, cable support system	Screwed