

# Technical data sheet

## Rauduo GT40105 device support, single

Item number: 6132173



Device support for the Rauduo skirting trunking system for the installation of devices in support clamp form (according to DIN 49075).  
For snapping onto the cover of the trunking system. Not equipped.



**PVC** Polyvinylchloride

### Master data

Item number	6132173
Type	RD GT40105 rws
Description 1	Mounting box
Description 2	RAUDUO empty with frame 9010
Manufacturer	OBO
Colour	Pure white; RAL 9010
Material	Polyvinylchloride
Smallest sales unit	1
Unit of quantity	Piece
Weight	21 kg
Weight unit	kg/100 pc.

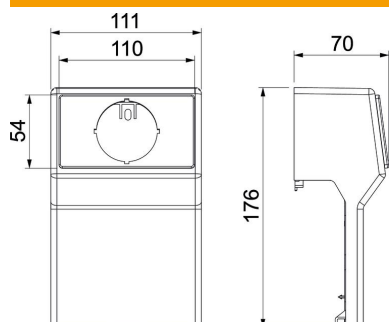
# Technical data sheet

Rauduo GT40105 device support, single

Item number: 6132173



## Dimensions



Length	62 mm
Width	112 mm
Height	175 mm

## Technical data

Number of units	0
Equipment	Without
Decoration	Without
Halogen-free	no
Accessory mounting type	With central plate