

Technical data sheet

Fine protection for 4-wire information technology systems
with RJ45

Item number: 5081005



Data line protection device for IT systems

- In aluminium housing
- RJ45 connector
- Incl. 150 mm connection cable with RJ45 connectors
- Simple mounting using adapter
- 2-stage protection circuit
- DIN rail mounting with DLS-BS accessories (5082 38 2)

Application: Twisted Pair, control circuits, RJ45 communication cables



Master data

Item number	5081005
Type	RJ45 S-E100 4-F
Description 1	Fine protection device
Description 2	for data technology
Manufacturer	OBO
Dimension	6.2V
Smallest sales unit	1
Unit of quantity	Piece
Weight	14 kg
Weight unit	kg/100 pc.

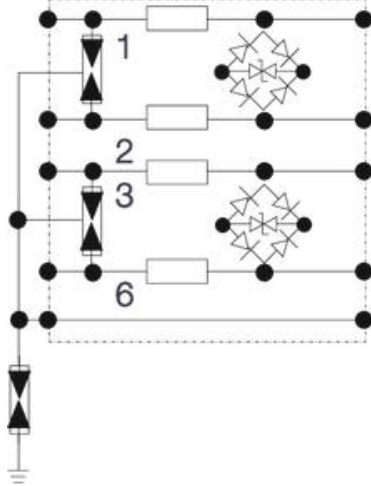
Technical data sheet

Fine protection for 4-wire information technology systems with RJ45

Item number: 5081005



Technical data



Arrestor monitoring	no
Number of poles	4
Version for	Fine protection, 4 wires + shield
Channel performance Ansi/EA	CAT 5e
Channel performance ISO/IEC	Class E
Insertion loss	≤3 dB
Earthing via:	Connection cable
Total discharge current (8/20)	2.5 kA
Cut-off frequency	100 MHz
Maximum continuous voltage AC	4.2
Maximum continuous voltage DC	6
Insulation resistance	>500 MΩ
Capacity (wire-wire)	<50 pF
Capacity (wire-earth)	<20 pF
Kategorie	Type 2+3 / C2+C1
Lightning protection zone LPZ	2→3
Mounting type	Connector/cable adapter
Nominal load current AC	0.7
Nominal load current DC	1 A
Testing standard	IEC 61643-21
Shielding connection available	yes
Screening	Indirect
Protection rating	IP40
Protection level wire-wire	<40 V
Protection level wire-earth	<750 V
Signalling on device	Without
SPD to IEC 61643-21	Class II+III / C2+C1
Plug-in system	RJ45
Impulse durability wire-wire	C1: 1 kV / 0,5 kA (8/20μs)
Impulse durability wire-earth	C1: 1 kV / 0,5 kA (8/20μs)
Permitted temperature range, max.	80 °C
Permitted temperature range, min.	-40 °C