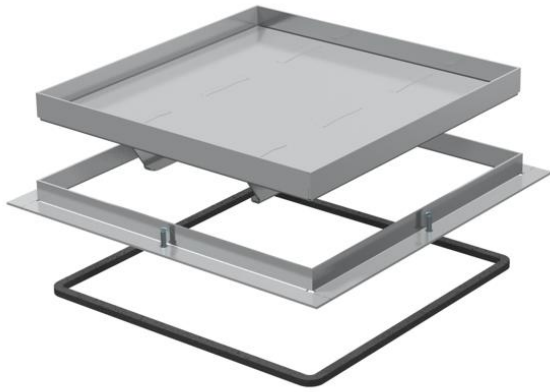


# Technical data sheet

Heavy-duty frame cassette, blank, RKSL, nominal size 350-3

Item number: 7405952



"Blank" heavy-duty frame cassette for the creation of an inspection opening in the UZD350-3 in dry or wet-cleaned floors. Load class 2 to 20 kN. Only suitable for smooth floor coverings for indoor use.



VA

Stainless steel, grade 354/1

## Master data

Item number	7405952
Type	RK SL2 V3 20
Description 1	Heavy-duty frame cassette
Description 2	blank
Manufacturer	OBO
Dimension	383x383x20
Material	Stainless steel, grade 354/1
Smallest sales unit	1
Unit of quantity	Piece
Weight	1346 kg
Weight unit	kg/100 pc.

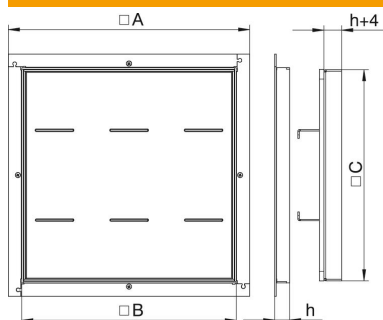
# Technical data sheet

Heavy-duty frame cassette, blank, RKSL, nominal size 350-3

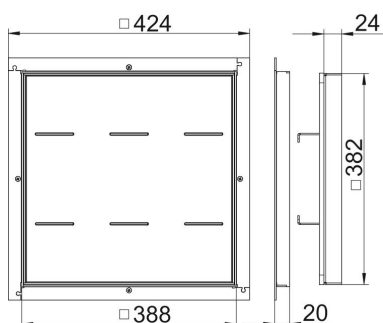
Item number: 7405952



## Dimensions



Dimension A	424 mm
Dimension B	388 mm
Dimension C	382 mm
Dimension h	20 mm



## Technical data

Number of cable outlets	0
Cable outlet version	No cable outlet
Floor care	Wet
Screed height, min.	70 mm
Floor height, min.	90 mm
Suitable for raised floor installation	yes
Suitable for cavity floor installation	yes
Suitable for	Underfloor socket structure
Suitable for underfloor box	350
Device support to accept mounting boxes	no
Length of installation dimensions	390 mm
Protection rating (IP) when used	IP00
Protection rating (IP) when unused	IP44
Protection rating IK code	IK10
Heavy-duty version	yes
Heavy load class	20 kN (OBO SL2)