

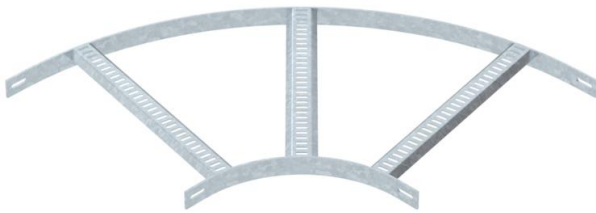
# Technical data sheet

## 90° bend with trapezoidal rung, FT

Item number: 7098928



90° bend for shipbuilding cable ladders, type SL 62, with side height of 40 mm with welded, perforated trapezoidal rungs which open in a downwards direction. Connectors should be ordered separately and in the appropriate quantity.



St

Steel

FT

Hot-dip galvanised

### Master data

Item number	7098928
Type	SLB 90 62 500 FT
Description 1	90° bend
Description 2	with trapezoidal rung
Manufacturer	OBO
Dimension	B510mm
Material	Steel
Surface	Hot-dip galvanised
Surface standard	DIN EN ISO 1461
Smallest sales unit	1
Unit of quantity	Piece
Weight	452 kg
Weight unit	kg/100 pc.

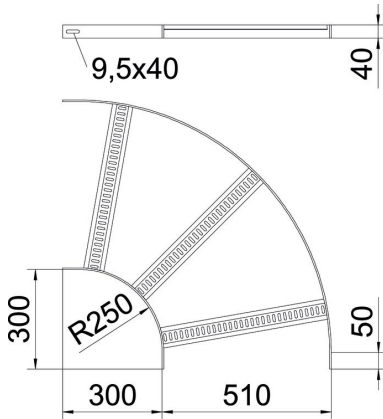
# Technical data sheet

## 90° bend with trapezoidal rung, FT

Item number: 7098928



### Dimensions



Width	500 mm
Height	40 mm

### Technical data

Bend (angle)	90°
Version of the rungs	Profile perforated
Side rail version	Flat profile
Connector version	Without connectors
Maintain electrical functions	no
Change of direction	Horizontal
Rustproof steel, pickled	no
Hinged	no
Side perforation	no
Wide-span version	no