

# Technical data sheet

## Cable ladder with Z rung, light-duty A4

Item number: 7098082



Light-duty shipbuilding cable ladder with perforated side rail of side height 35 mm with welded, perforated Z rungs. Load tested according to IEC in conjunction with connector, type SLV.

Bends on request.



**A4** Stainless steel

**2B** Bright, treated

### Master data

Item number	7098082
Type	SLZ L 100 A4
Description 1	Cable ladder, shipbuilding
Description 2	with Z-rung
Manufacturer	OBO
Dimension	35x106x3000
Material	Stainless steel
Surface	Bright, treated
Surface standard	
Smallest sales unit	3
Unit of quantity	Metre
Weight	167 kg
Weight unit	kg/100 m

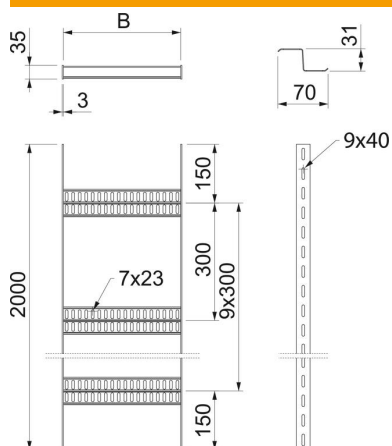
# Technical data sheet

## Cable ladder with Z rung, light-duty A4

Item number: 7098082



### Dimensions



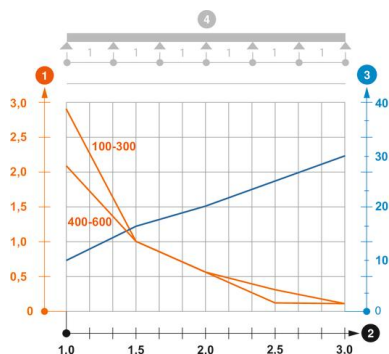
Dimension	35x100
Length	3,000 mm
Length	3,000 ft
Width	100 mm
Height	35 mm
Dimension B	106 mm

### Technical data

Version of the rungs	Profile perforated
Side rail version	Flat profile
Fastening of rung	Welded
Maintain electrical functions	no
Rustproof steel, pickled	yes
Side perforation	yes
Rung distance	300 mm
Wide-span version	no
Rail thickness	3 mm

### Loads

Support spacing 1.0 m	2.8 kN/m
Support spacing 1.5 m	1 kN/m
Support spacing 2.0 m	0.55 kN/m
Support spacing 2.5 m	0.35 kN/m
Support spacing 3.0 m	0.25 kN/m



#### Load diagram, cable ladder, type SLZ L A4

- 1** Permitted cable tray/ladder load in kN/m without man load
- 2** Support width in m
- 3** Rail bend in mm at permitted kN/m
- Load curve with cable tray/ladder width in mm
- Strut bend curve according to support width
- 4** Load scheme during testing