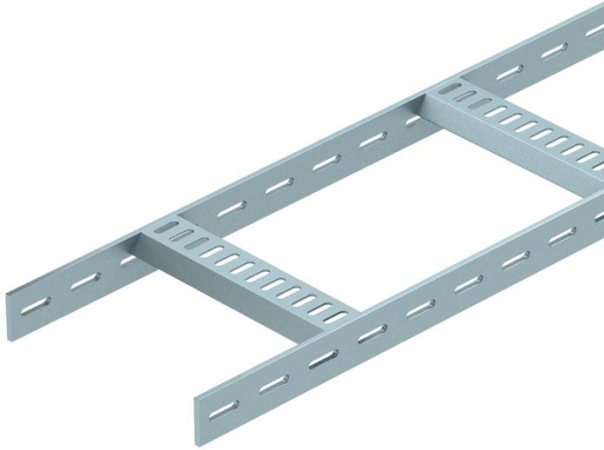


Technical data sheet

Cable ladder with trapezoidal rungs, standard FT



Item number: 7097409



Shipbuilding cable ladder with perforated side rail of side height 40 mm with welded, perforated trapezoidal rungs which open in a downwards direction. Load tested according to IEC in conjunction with connector, type SLV. The shipbuilding cable ladder, including fittings, is also available in stainless steel on request. Powder coating according to RAL colours possible.



St Steel

FT Hot-dip galvanised

Master data

| | |
|---------------------|----------------------------|
| Item number | 7097409 |
| Type | SL 62 100 FT |
| Description 1 | Cable ladder, shipbuilding |
| Description 2 | with trapezoidal rung |
| Manufacturer | OBO |
| Dimension | 40x110x3000 |
| Material | Steel |
| Surface | Hot-dip galvanised |
| Surface standard | DIN EN ISO 1461 |
| Smallest sales unit | 3 |
| Unit of quantity | Metre |
| Weight | 307.3 kg |
| Weight unit | kg/100 m |

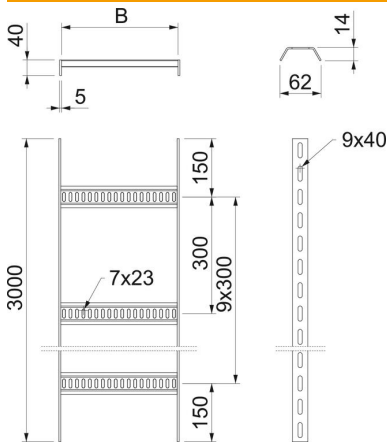
Technical data sheet

Cable ladder with trapezoidal rungs, standard FT

Item number: 7097409



Dimensions



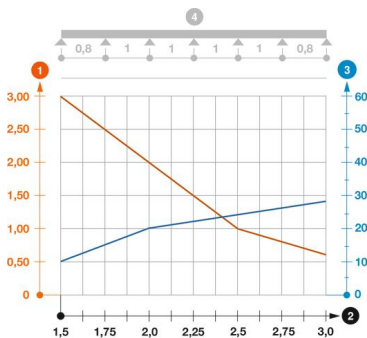
| | |
|-------------|----------|
| Length | 3,000 mm |
| Length | 3,000 ft |
| Width | 100 mm |
| Height | 40 mm |
| Dimension B | 110 mm |

Technical data

| | |
|-------------------------------|--------------------|
| Version of the rungs | Profile perforated |
| Side rail version | Flat profile |
| Fastening of rung | Welded |
| Maintain electrical functions | no |
| Rustproof steel, pickled | no |
| Side perforation | yes |
| Rung distance | 300 mm |
| Wide-span version | no |
| Rail thickness | 5 mm |

Loads

| | |
|-----------------------|----------|
| Support spacing 1.5 m | 3 kN/m |
| Support spacing 2.0 m | 2 kN/m |
| Support spacing 2.5 m | 1 kN/m |
| Support spacing 3.0 m | 0.6 kN/m |



Load diagram, cable ladder, type SL62

- 1 Permitted cable tray/ladder load in kN/m without man load
- 2 Support width in m
- 3 Rail bend in mm at permitted kN/m
- Load curve with cable tray/ladder width in mm
- Strut bend curve according to support width
- 4 Load scheme during testing