

Technical data sheet

External corner SL AE2050

Item number: 6132265



External corner as a fitting for changing the direction of the skirting trunking.
External corner for snapping on to the base to conceal cuts.



PVC Polyvinylchloride

Master data

Item number	6132265
Type	SL AE2050 rws
Description 1	External corner
Description 2	SL 20x50 9010
Manufacturer	OBO
Colour	Pure white; RAL 9010
Material	Polyvinylchloride
Smallest sales unit	10
Unit of quantity	Piece
Weight	1.16 kg
Weight unit	kg/100 pc.

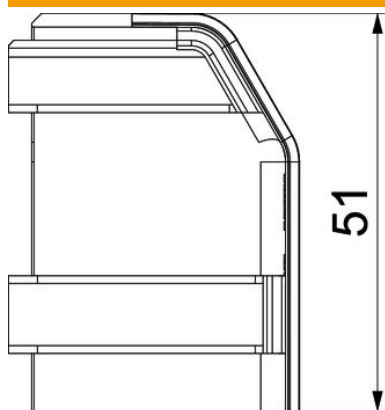
Technical data sheet

External corner SL AE2050

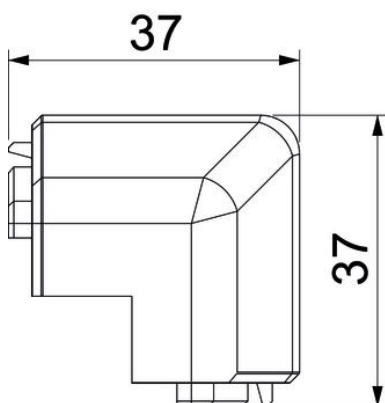
Item number: 6132265



Dimensions



Length	37 mm
Height	51 mm



Technical data

Version for	Hood fitting
Decoration	Without
Cover sealing lip	Without
Halogen-free	no
With carpet strip	no
Protection rating	IP40
Protection rating IK code	IK06
Permitted temperature range, max.	60 °C
Permitted temperature range, min.	-5 °C
Angle range, min.	90 mm