

Technical data sheet

Equipotential busbar for small systems

Item no. 5015502



- Cover made of polystyrene, grey
- Sealable/labelable
- Base plate made of strip galvanised steel
- Contact strip and screws made of nickel-plated brass

Connection options:

- 3 x multi-core cables to 6 mm²
- 2 x multi-core cables to 16 mm²

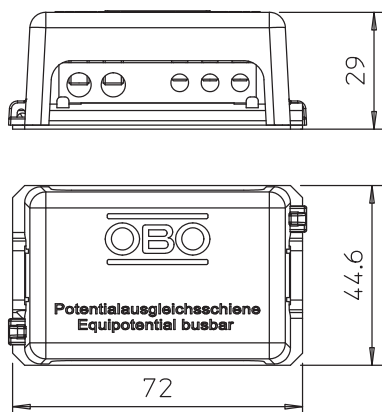


CuZn
37 Brass

Master data

Item no.	5015502
Type	1809 BG
Description 1	Equipotential busbar
Description 2	for small systems
Dimension	72x45mm
Colour	Grey
Material	Brass
Material symbol	CuZn
Smallest sales unit (VG)	1 Piece
Weight	9,00 kg/100 pc.

Technical data



Length	72,00 mm
Width	43,50 mm
Height	29,00 mm
Connection option 1	3 x multi-core cables to 6 mm ²
Connection option 2	2 x multi-core cables to 16 mm ²
Quantity of round conductor connections, total	0
Quantity of round conductor connections 8 mm	0
Quantity of round conductor connections 10 mm	0
Quantity of round conductor connections 8-10 mm	0
Quantity of flat conductor connections up to 30 mm	0
Quantity of flat conductor connections up to 40 mm	0
Quantity of cable connections up to 6 mm ² , rigid	3
Quantity of cable connections up to 16 mm ² , rigid	2
Quantity of cable connections up to 25 mm ² , rigid	0

Technical data sheet

Equipotential busbar for small systems

Item no. 5015502



Technical data

Quantity of cable connections up to 95 mm ² , rigid	0
Version	With cover hood
Shape	Fixed structure
Insulator	□
Material of the terminal	Brass
Surface of the terminal	Nickel-plated
Material of the contact rail	Brass
Surface of the contact rail	Nickel-plated