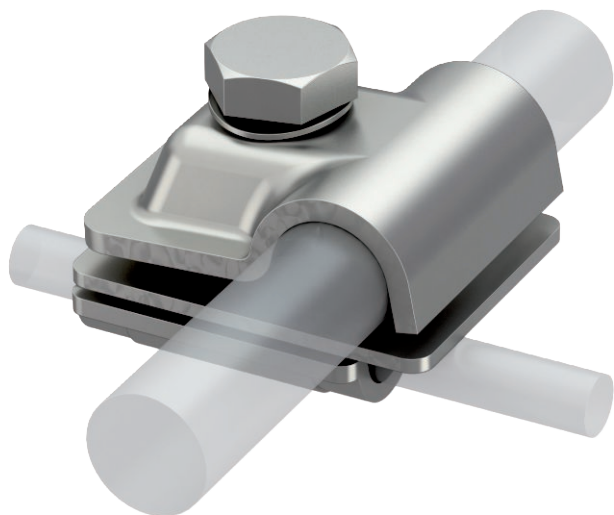


Technical data sheet

Vario quick connector Rd 8-10x16

Item no. 5311590



- For T, intersection and parallel connections with adapter plates
- Quick mounting using an M10 x 30 bolt, made from rustproof stainless steel
- With sprung washer to DIN 137
- Corresponds to the requirements of VDE 0185-305 (IEC 62305)



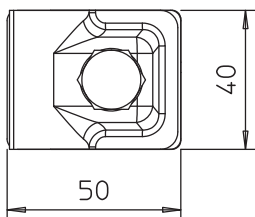
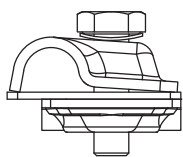
VA Stainless steel, rustproof 1.4301

Product description

Master data

Item no.	5311590
Type	249 8-10X16 VA
Description 1	Quick connector
Description 2	Vario
Dimension	8-10mm/16mm
Material	Stainless steel, material no. 1.4301
Material symbol	A2
Quality	1,43
Weight	14,96 kg/100 pc.

Technical data



Dimension A	40,00 mm
Type of fastening screw	Hex set screw
Type of connector	Multipurpose connection clamp
Lightning current carrying capacity	H/100 kA
Suitable for connection	Round conductor Rd 8-10 / Rd 16
Short-circuit current (50 HZ)(1 s; ≤300°C)	7,90 kA
Fit	8-10x16 mm
Intermediate plate	<input type="checkbox"/>