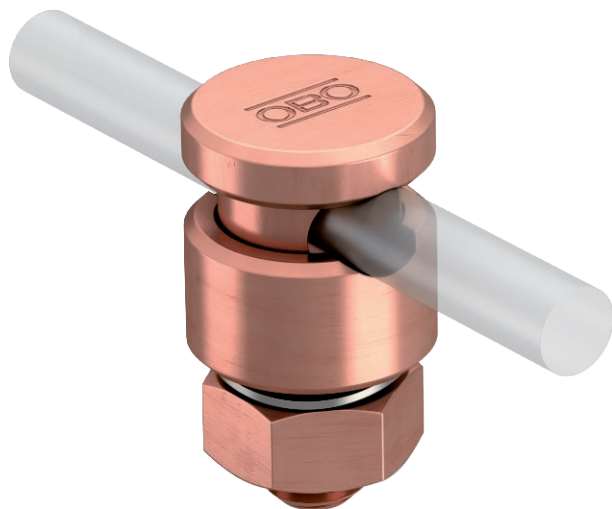


# Technical data sheet

## Connector, Rd 8–10 mm with pressure trough

Item no. 5304172



- With 1 fix contact clamping screw, nut and serrated washer
- Including pre-mounted pressure sump, steel
- Conforms to the requirements according to DIN VDE 0185-305 (IEC 62305)



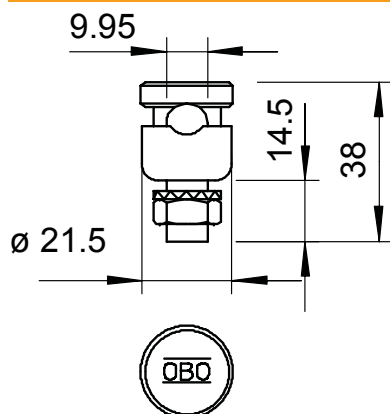
**Cu** Copper

### Product description

### Master data

Item no.	5304172
Type	5001 N-CU
Description 1	Connection terminal
Description 2	for round conductors
Dimension	8-10mm
Material	Copper
Material symbol	Cu
Weight	6,75 kg/100 pc.

### Technical data



Type of fastening screw	Clamping screw
Type of connector	Connector
Lightning current carrying capacity	H/100 kA
Suitable for connection	Other
Fit	Rd 8-10 mm
Intermediate plate	<input type="checkbox"/>