

# Technical data sheet

## Connector, Rd 8–10 mm with pressure trough

Item no. 5304164



- With 1 Fix-Kontakt clamping bolt, nut and serrated washer
- With pre-mounted pressure trough
- Corresponds to the requirements of VDE 0185-305 (IEC 62305)



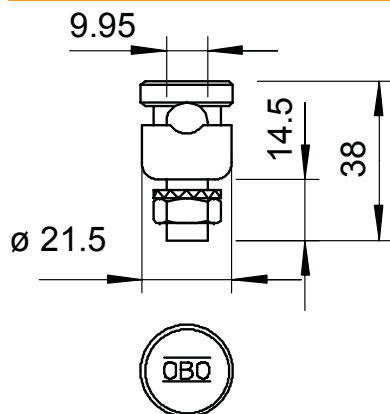
<b>St</b>	Steel
<b>FT</b>	Hot-dip galvanised

### Product description

### Master data

Item no.	5304164
Type	5001 N-FT
Description 1	Connection terminal
Description 2	for round conductors
Dimension	8-10mm
Material	Steel
Material symbol	St
Surface	Hot-dip galvanised
Surface to DIN	DIN EN ISO 1461
Surface symbol	FT
Weight	5,90 kg/100 pc.

### Technical data



Type of fastening screw	Clamping screw
Type of connector	Connector
Lightning current carrying capacity	N/50 kA
Suitable for connection	Other
Fit	Rd 8-10 mm
Intermediate plate	<input type="checkbox"/>