

Technical data sheet

Connector, Rd 8–10 mm with pressure trough

Item no. 5304176



- With 1 fix contact clamping screw, nut and serrated washer
- Including pre-mounted pressure sump, steel
- Conforms to the requirements according to DIN VDE 0185-305 (IEC 62305)



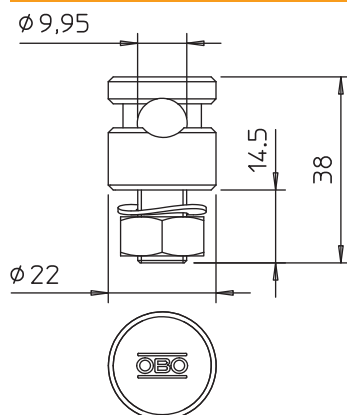
VA Stainless steel, rustproof 1.4301

Product description

Master data

Item no.	5304176
Type	5001 N-VA
Description 1	Connection terminal
Description 2	for round conductors
Dimension	8-10mm
Material	Stainless steel, material no. 1.4301
Material symbol	A2
Quality	1,43
Weight	6,80 kg/100 pc.

Technical data



Type of fastening screw	Clamping screw
Type of connector	Connector
Lightning current carrying capacity	N/50 kA
Suitable for connection	Round conductor Rd 8–10 / Rd 8–10
Fit	Rd 8-10 mm
Intermediate plate	<input type="checkbox"/>