

Technical data sheet

Connector, Rd 8–10 mm, double, with pressure trough

Item no. 5304270



- With 2 Fix-Kontakt clamping bolts, nuts and serrated washers
- With pre-mounted pressure trough made of VA
- Corresponds to the requirements of VDE 0185-305 (IEC 62305)



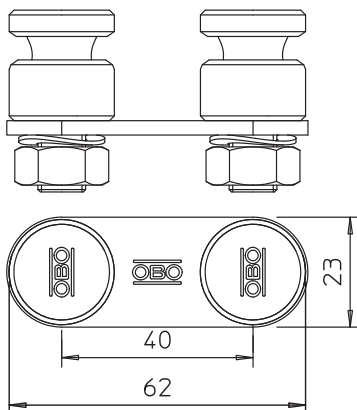
VA Stainless steel, rustproof 1.4301

Product description

Master data

Item no.	5304270
Type	5002 N-VA
Description 1	Connection terminal
Description 2	for two round conductors
Dimension	8-10mm
Material	Stainless steel, material no. 1.4301
Material symbol	A2
Quality	1,43
Weight	16,20 kg/100 pc.

Technical data



TBS application	Other
Type of fastening screw	Clamping screw
Type of connector	Connector
Lightning current carrying capacity	N/50 kA
Suitable for connection	Round conductor Rd 6–10 / Rd 6–10
Fit	Rd 8-10 mm