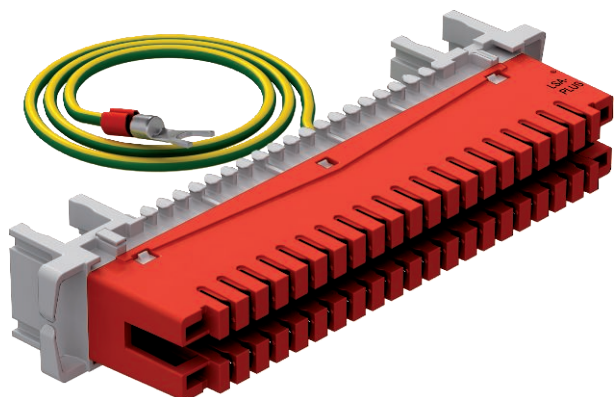


# Technical data sheet

## LSA earthing strip

Item no. 5084016



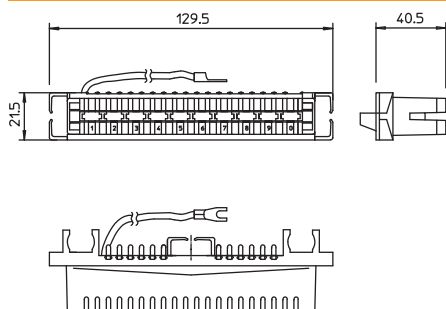
LSA earthing strip, 40-pole for connecting earthing cables or screens to the earth connection.

- Complete with connection line, green-yellow, 1.5 mm<sup>2</sup>
- Colour: Red

LSA Plus earthing strip, for earthing 34 cables. With connected earthing cable, length 0.5 m.



### Dimensions



### Master data

Item no.	5084016
Type	LSA-E-LEI
Description 1	Earthing strip
Description 2	34-pole for LSA Plus
Dimension	34-polig
Colour	Red
Smallest sales unit (VG)	1 Piece
Weight	6,50 kg/100 pc.