

# Technical data sheet

## Card reader PCS-CS..

Item no. 5091691



Magnetic card reader for reading and analysing PCS cards.

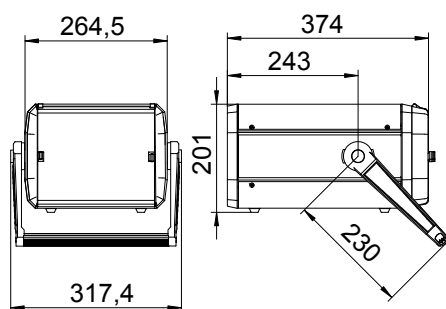
- Inc. rechargeable battery for 4 h continuous, no-mains operation
- Large, clear display



### Master data

Item no.	5091691
Type	PCS-CS-GB
Description 1	Card reader
Description 2	GB version
Dimension	GB
Smallest sales unit (VG)	1 Piece
Weight	750,00 kg/100 pc.

### Technical data



Dimension	250 x 200 x 380 mm
Country-specific version	GB
Maximum back-up fuse	1,25 A
Measuring range	3- 120 kA
Measuring tolerances	< 2 kA (< 2%)
Nominal voltage	230,00 V
Temperature range	-10+50 °C