

Technical data sheet

PV system solution, type 2, with MC4 connector for inverter with 1 MPP tracker, 1,000 V DC

Item no. 5088554



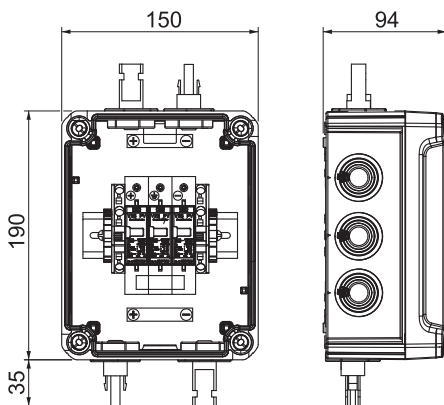
System solution, type 2, with MC4 connector for photovoltaic inverter with 1 MPP tracker

- Varistor arrester, connectable with cut-off unit in error-resistant Y circuit to VDE 0100-712 (50539-12)
- Low DC voltage protection level: < 4.0 kV ($V_{oc\ max} = 1,000V\ DC\ with\ V20-C/0-500PV$)
- One PV string input (MC4 plug connector) at one MPP inverter input, up to 30A DC per terminal
- Pre-mounted in polycarbonate housing (IP66), UV-resistant for use outside

For DC protection of the inverter of photovoltaic systems.
If there is a danger of condensation forming through wind, ice, temperature or sunlight, further measures may be necessary!



Dimensions



Master data

Item no.	5088554
Type	PVG-C1000S100
Description 1	PV system solution in housing
Description 2	1x1 PV string to 1 WR-MPP-MC4
Dimension	1000V DC
Smallest sales unit (VG)	1 Piece
Weight	105,00 kg/100 pc.

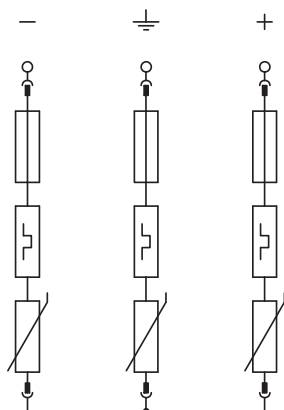
Technical data sheet

PV system solution, type 2, with MC4 connector for inverter with 1 MPP tracker, 1,000 V DC

Item no. 5088554



Technical data



SPD to EN 61643-11	Type 2
SPD to IEC 61643-11	Class II
Test class, type 2	<input checked="" type="checkbox"/>
Maximum continuous voltage DC	1.000,00 V
U max DC	1.000,00 V
Nominal discharge current (8/20)	20 kA
Maximum discharge current (8/20 µs)	40,00 kA
Protection level	< 4,0 kV
Response time	< 25 ns
Maximum back-up fuse	125,00 A
Short-circuit resistant	<input checked="" type="checkbox"/>
Temperature range	-40-+80 °C
Pole number	3
Version	For one MPP tracker and with MC4 connection
Version	3-pole
Mounting type	Pre-mounted in the housing
Installation type	Pre-mounted in the housing
Protection rating	IP66
Protection rating	IP66
Size	Other
Division unit TE (17,5 mm)	3
Max. cable cross-section flexible (fine-wire)	25,00 mm ²
Max. cable cross-section rigid (single wire/multi-wire)	35,00 mm ²
Max. PV voltage	1.000,00 V
Signalling on device	Visual