

# Technical data sheet

## Surge arrester with remote signalling V20

Item no. 5096030



Surge arrester type 2, 280 V

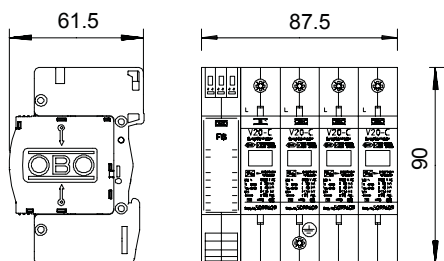
- With remote signalling and potential-free changeover contact for function monitoring
- For surge protection equipotential bonding to VDE 0100-443 (IEC 60364-4-44)
- Arresting capacity to 40 kA (8/20) per pole
- Arrester, connectable with dynamic cut-off unit and visual function display
- High-performance varistor technology

Application: Equipotential bonding (LPZ 1 to 2) in main and sub-distributors.

\* Complete = cover and base



### Dimensions



### Master data

Item no.	5096030
Type	V20-C 4+FS-280A
Description 1	SurgeController V20
Description 2	with remote signalling
Dimension	280V
Smallest sales unit (VG)	1 Piece
Weight	55,00 kg/100 pc.

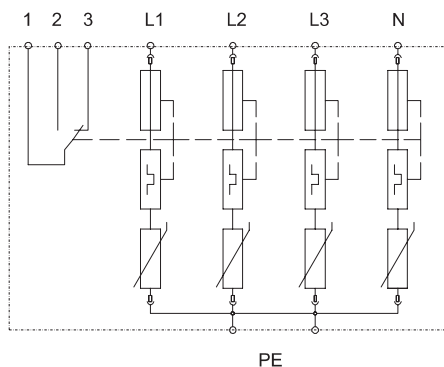
# Technical data sheet

## Surge arrester with remote signalling V20

Item no. 5096030



### Technical data



SPD to EN 61643-11	Type 2
SPD to IEC 61643-11	Class II
Test class, type 2	<input checked="" type="checkbox"/>
Nominal voltage	230,00 V
Maximum continuous voltage AC	280,00 V
Max. continuous operating voltage	280,00 V
Nominal discharge current (8/20)	20 kA
Nominal discharge current (8/20 µs) [L-N]	20,00 kA
Maximum discharge current (8/20 µs)	40,00 kA
Arrester surge current (8/20) [total]	80,00 kA
Protection level	< 1,3 kV
Response time	< 25 ns
Maximum back-up fuse	125,00 A
Temperature range	-40+80 °C
Pole version	4
Version	4-pole complete with RS, 280 V
Version	4-pole
Mounting type	Hat rail 35 mm
Installation type	DIN rail 35 mm
Protection rating	IP20
Protection rating	IP 20
Blow-out	<input type="checkbox"/>
Division unit TE (17.5 mm)	5
Telecommunications contact	<input checked="" type="checkbox"/>
Integrated back-up fuse	<input type="checkbox"/>
Max. cable cross-section flexible (fine-wire)	25,00 mm <sup>2</sup>
Max. cable cross-section rigid (single wire/multi-wire)	35,00 mm <sup>2</sup>
Connection cross-section, flexible	2,50 - 25,00 mm <sup>2</sup>
Connection cross-section, rigid	2,50 - 35,00 mm <sup>2</sup>
Connection cross-section, multi-wire	2,50 - 35,00 mm <sup>2</sup>
Signalling on device	Visual