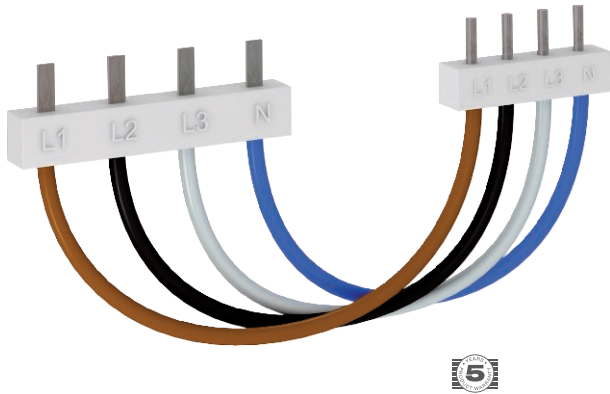


Technical data sheet

Connecting bridge for V10 Compact 200 mm

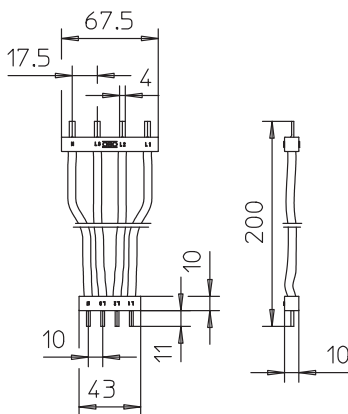
Item no. 5089650



To bridge V10 Compact e.g. to FI protection switches in a 17.5 mm grid.

- 4-pole version (L1; L2; L3; N)
- Conductor: H07V-K 4 mm²
- V10 Compact connection via pin contact (diameter: 2.7 mm)
- FI protection switch connection via flat contact (4 x 1.5 mm)

Dimensions



Length	200,00 mm
Width	67,50 mm
Height	10,00 mm

Master data

Item no.	5089650
Type	VB-V10 COMPACT-2
Description 1	Connecting bridge
Description 2	for V10 Compact
Dimension	200mm
Smallest sales unit (VG)	1 Piece
Weight	5,30 kg/100 pc.

Technical data

Pole version	4
Version	200 mm
Protection rating	IP20
Protection rating	IP 20