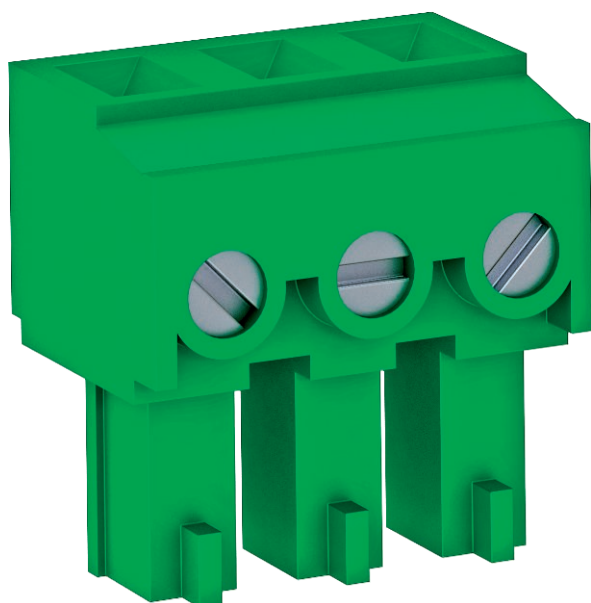


# Technical data sheet

## Replacement connector for VF remote signalling

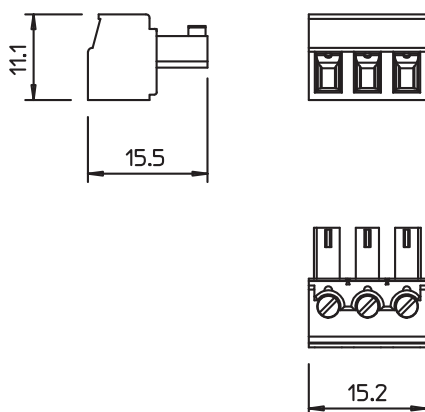
Item no. 5098475



Replacement telephony connector, 3-pin version, for VF variant



### Dimensions



### Master data

Item no.	5098475
Type	VF-FS
Description 1	Replacement connector RS
Description 2	for lightning barriers
Smallest sales unit (VG)	25 Piece
Weight	0,32 kg/100 pc.

### Technical data

SPD to EN 61643-11	Type 3
Pole version	3
Pole number	3
Version	3-pole
Protection rating	IP20
Protection rating	IP 20