

Technical data sheet

Photovoltaic housing with 4 fuse holders, V25, 900 V

Item no. 5088640



System solution for photovoltaic fuses (unequipped) for photovoltaic inverters with 1 MPP tracker

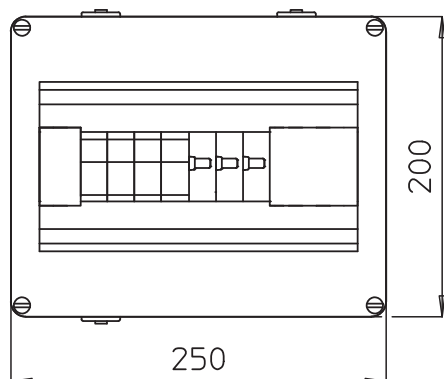
- Error-resistant Y circuit to VDE 0100-712 (50539-12)
- Low DC protection level: < 3.0 kV (Voc max = 900 V DC with V25-B+C/0-450PV)
- (+) poles protected via 4 photovoltaic fuses 10 x 38 mm (unequipped), 900 V DC protected
- 4 (-) poles via terminal up to 6 mm² switched in parallel in the housing, up to 30 A DC per terminal
- Pre-mounted in polycarbonate housing (IP65), UV-resistant for use outside, including cable gland kit

For DC protection of the inverter in photovoltaic systems.

If there is a danger of condensation forming through wind, ice, temperature or sunlight, further measures may be necessary!



Dimensions



Master data

Item no.	5088640
Type	VG-BC PV900KS4
Description 1	PV system solution in housing
Description 2	PV with 4-string + fuse
Dimension	900V DC
Smallest sales unit (VG)	1 Piece
Weight	205,00 kg/100 pc.

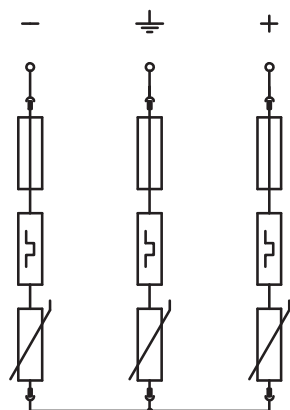
Technical data sheet

Photovoltaic housing with 4 fuse holders, V25, 900 V

Item no. 5088640



Technical data



SPD to EN 61643-11	Type 1+2
SPD to IEC 61643-11	Class II
Maximum continuous voltage DC	900,00 V
U max DC	900,00 V
Nominal discharge current (8/20)	30 kA
Maximum discharge current (8/20 μ s)	50,00 kA
Impulse discharge current (10/350)	7,00 kA
Protection level	< 3,0 kV
Response time	< 25 ns
Temperature range	-40-+80 °C
Version	Type 1+2 in housing with fuse holder (unequipped)
Protection rating	IP65
Protection rating	IP 65
Connection cross-section, flexible	0,50 - 6,00 mm ²
Connection cross-section, rigid	0,50 - 6,00 mm ²
Connection cross-section, multi-wire	0,50 - 6,00 mm ²
Signalling on device	Visual