

# Technical data sheet

## Photovoltaic housing with 4 fuses 10 A

Item no. 5088651



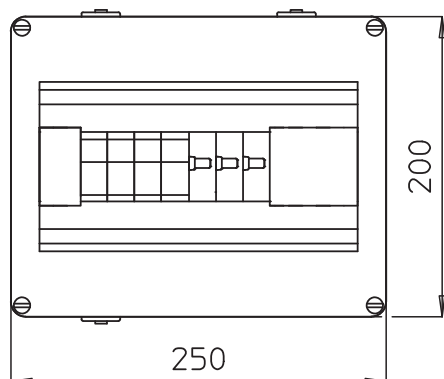
System solution for photovoltaic fuses for photovoltaic inverters with 1 MPP tracker

- Error-resistant Y circuit to VDE 0100-712 (50539-12)
- Low DC protection level: < 4.0 kV (Voc max = 1,000 V DC with V20-C/0-500PV)
- (+) poles protected via 4 photovoltaic fuses 10x38 mm 10 A, 1,000 V DC protected
- 4 (-) poles via terminal up to 6 mm<sup>2</sup> switched in parallel in the housing, up to 30 A DC per terminal
- Pre-mounted in polycarbonate housing (IP65), UV-resistant for use outside, including cable gland kit

For DC protection of the inverter in photovoltaic systems.  
If there is a danger of condensation forming through wind, ice, temperature or sunlight, further measures may be necessary!



### Dimensions



### Master data

Item no.	5088651
Type	VG-C DCPH1000-4S
Description 1	Surge protective device
Description 2	PV with 4-string + fuse
Dimension	1000V DC
Smallest sales unit (VG)	1 Piece
Weight	200,00 kg/100 pc.

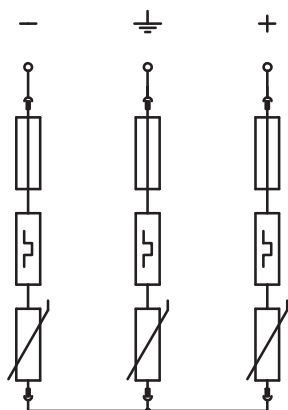
# Technical data sheet

## Photovoltaic housing with 4 fuses 10 A

Item no. 5088651



### Technical data



SPD to EN 61643-11	Type 2
SPD to IEC 61643-11	Class II
Maximum continuous voltage DC	1.000,00 V
U max DC	1.000,00 V
Nominal discharge current (8/20)	20 kA
Maximum discharge current (8/20 $\mu$ s)	40,00 kA
Protection level	< 4,0 kV
Response time	< 25 ns
Temperature range	-40+80 °C
Version	Type 2 in housing with 4 PV fuses (10 A)
Protection rating	IP65
Protection rating	IP 65
Connection cross-section, flexible	0,50 - 6,00 mm <sup>2</sup>
Connection cross-section, rigid	0,50 - 6,00 mm <sup>2</sup>
Connection cross-section, multi-wire	0,50 - 6,00 mm <sup>2</sup>
Signalling on device	Visual