

Technical data sheet

GESR4 service outlet with handle clamp

Item no. 7405436



Service outlet with handle clamp for up to 6 individual Modul 45 devices in 2 UT3 universal supports, use in duct systems and system floors for indoor use.

Up to 4 installation devices with 50 mm central plate can be inserted.

Service outlet with handle clamp, 2-compartment, for the installation of MT4 mounting support. Two type APMT2 cover plates can be installed.

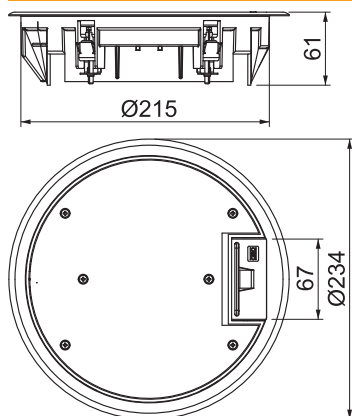


PA Polyamide

Master data

| | |
|--------------------------|------------------------|
| Item no. | 7405436 |
| Type | GESR4 U 7011 |
| Description 1 | Service outlet |
| Description 2 | for universal mounting |
| Dimension | 234x234x61 |
| Colour | Iron grey |
| RAL number | 7011 |
| Material | Polyamide |
| Material symbol | PA |
| Smallest sales unit (VG) | 1 Piece |
| Weight | 140,00 kg/100 pc. |

Technical data



| | |
|---|-------------------------------------|
| Dimension h | 73,00 mm |
| External diameter | 234,00 mm |
| Installation diameter | 215 |
| Number of installable devices | 6 |
| Number of mounting boxes | 2 |
| Cable outlet version | Swivellable cord outlet |
| Floor covering thickness | 5,00 mm |
| Floor covering protection frame | <input checked="" type="checkbox"/> |
| Floor care | Dry |
| Version for | Round |
| Seal installation option | <input type="checkbox"/> |
| Installation depth | 73,00 mm |
| Floor height | 73 mm |
| Device support to accept mounting boxes | <input checked="" type="checkbox"/> |
| Suitable for wet care | <input type="checkbox"/> |
| Suitable for screed-flush closed underfloor ducts | <input checked="" type="checkbox"/> |
| Suitable for screed-covered underfloor ducts | <input checked="" type="checkbox"/> |
| Suitable for raised floor installation | <input checked="" type="checkbox"/> |
| Suitable for cavity floor installation | <input checked="" type="checkbox"/> |
| Suitable for underfloor ducts | <input checked="" type="checkbox"/> |
| With floor covering recess | <input checked="" type="checkbox"/> |

Technical data sheet

GESR4 service outlet with handle clamp

Item no. 7405436



Technical data

| | |
|--|--------------------------|
| Nominal size for device installation units | R4 |
| Suitable for underfloor box | 250/350 |
| Opening mechanism | Handle |
| Frame version | Carpet protection frame |
| Schwerlastausführung | <input type="checkbox"/> |
| Typ des Einbausystems | UT3 |
| Approvals | |