

Technical data sheet

Service outlet with blanking cover and opening contour, GES R2
Item no. 7405088



Service outlet with blanking cover and cord outlet for GES R2 floor socket for direct installation in the MT R2 installation socket.
For use in dry-cleaned floors for indoor use.

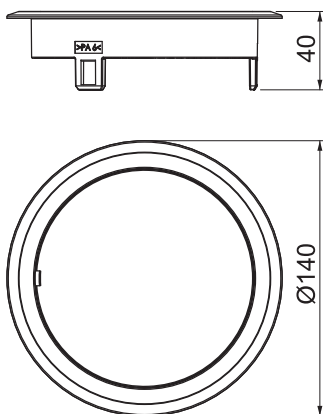


PA Polyamide

Master data

Item no.	7405088
Type	GES R2B 9011
Description 1	Floor socket
Description 2	blind
Dimension	140x140x40
Colour	Graphite black
RAL number	9011
Material	Polyamide
Material symbol	PA
Smallest sales unit (VG)	1 Piece
Weight	8,15 kg/100 pc.

Technical data



External diameter	140,00 mm
Cable outlet version	No cable outlet
Floor covering protection frame	<input checked="" type="checkbox"/>
Floor care	Dry
Version for	Round
Suitable for wet care	<input type="checkbox"/>
Suitable for raised floor installation	<input checked="" type="checkbox"/>
Suitable for cavity floor installation	<input checked="" type="checkbox"/>
Suitable for underfloor ducts	<input type="checkbox"/>
With floor covering recess	<input type="checkbox"/>
Standard	EN 50085-2-2
Opening mechanism	Tool
Protection rating (IP) when used	IP00
Protection rating (IP) when unused	IP40
Protection rating IK code	IK08
Approvals	
Vertical load, small area	to 500 N