

# Technical data sheet

## Service outlet with hinged cover and cord outlet, GES R2

Item no. 7405084



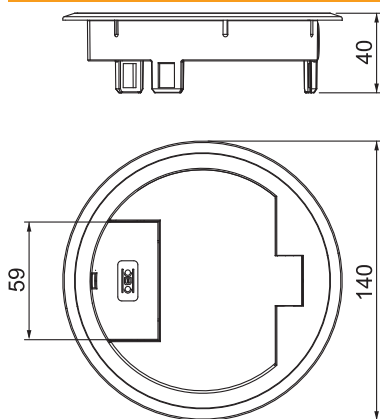
Service outlet with hinged cover and cord outlet for GES R2 floor socket for direct installation in the MT R2 installation socket.  
For use in dry-cleaned floors for indoor use.

**PA** Polyamide

### Master data

Item no.	7405084
Type	GES R2 9011
Description 1	Floor socket
Description 2	with cord outlet
Dimension	140x140x40
Colour	Graphite black
RAL number	9011
Material	Polyamide
Material symbol	PA
Smallest sales unit (VG)	1 Piece
Weight	8,80 kg/100 pc.

### Technical data



External diameter	140,00 mm
Cable outlet version	Swivellable cord outlet
Floor covering protection frame	<input checked="" type="checkbox"/>
Floor care	Dry
Version for	Round
Suitable for wet care	<input type="checkbox"/>
Suitable for raised floor installation	<input checked="" type="checkbox"/>
Suitable for cavity floor installation	<input checked="" type="checkbox"/>
Suitable for underfloor ducts	<input type="checkbox"/>
With floor covering recess	<input type="checkbox"/>
Opening mechanism	Tool
Protection rating (IP) when used	IP20
Protection rating (IP) when unused	IP40
Protection rating IK code	IK10
Approvals	
Vertical load, small area	to 500 N