

Technical data sheet

Concealed accessory/connection socket



Item number: 2003019



Device/connection socket with torsion-resistant guaranteed standard combination spacing of 71 mm (to DIN 49 073-1) through Snap-lock coupling. Break-out openings for cables and pipes \varnothing 20 mm and \varnothing 25 mm. Combinable for spreading and screw fastening, low-lying plaster brackets, device bolt spacing 60 mm, for screw fastening with 3.2 mm self-tapping screws, with 2 screw bosses without screws, protection rating IP20.



PS Polystyrene

Master data

Item number	2003019
Type	UG 60 VD
Description 1	Device/connection plug
Description 2	concealed
Manufacturer	OBO
Dimension	\varnothing 60mm, H60mm
Colour	Black
Material	Polystyrene
Smallest sales unit	25
Unit of quantity	Piece
Weight	1.79 kg
Weight unit	kg/100 pc.
CO Footprint (GWP) Cradle-to-Gate	0,0588 kg COe / 1 Piece

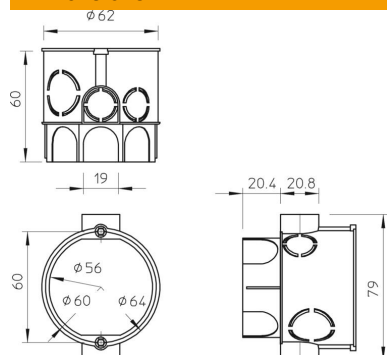
Technical data sheet

Concealed accessory/connection socket



Item number: 2003019

Dimensions



Height 60 mm

Technical data

No. of entries	13
Number of switch boxes	1
Type of insertion	break-out openings for cables and pipes Ø 20 mm and Ø 25 mm
Type of housing penetration	Pre-marking
Version for	Single
Type	Device connection socket/box
Device fixing	Screw or spread
Equipment	Without
Cover	Without
Cover fastening	Not applicable
Entry from rear	no
Entries	13
Flame-resistant	acc. to VDE 0471/DIN 695 Part 2-1, test temperature 650°C
Shape	Round
Maintain electrical functions	Without
Floor height, min.	64 mm
for pipe diameter	20/25 mm
Accessory screw clearance	60 mm
With screening	no
With nail strap	no
With bolts	no
Mounting type	Concealed
Nominal cross-section, max.	2.5 mm ²
Nominal cross-section, min.	1.5 mm ²
Sealable	no
Protection rating	IP20
Support	Tunnel support
Airtight	no
Rated voltage	400 V