

Technical data sheet

Box lid

Item number: 2003240



Box cover suitable for the connection sockets, type UV...K, cover edge is flush, surface is roughened, cover bolts can be lowered.



PS Polystyrene

Technical data sheet

Box lid

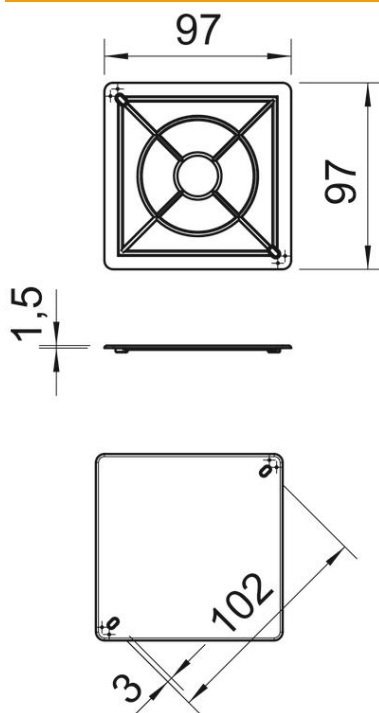
Item number: 2003240



Master data

Item number	2003240
Type	UV 80 D
Description 1	Box lid
Description 2	concealed
Manufacturer	OBO
Dimension	97x97x1,5
Colour	White
Material	Polystyrene
Smallest sales unit	10
Unit of quantity	Piece
Weight	1.275 kg
Weight unit	kg/100 pc.

Dimensions



Length	97 mm
Width	97 mm
Height	1.5 mm
Dimension A	102 mm
Dimension B	97 mm
Dimension s	1.5 mm

Technical data

Fastening type	Screw-on lid
Flame-resistant	acc. to VDE 0471/DIN 695 Part 2-1, test temperature 650°C
Shape	Square
Halogen-free	yes
With bolts	no
Sealable	yes