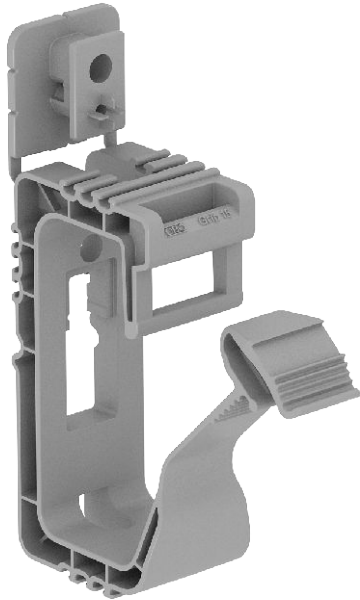


# Technical data sheet

## Grip 20 flame-resistant

Item no. 2205412



Cable tidy for general use, suitable for wall and ceiling mounting. The moulded fastening element can be fastened using knock-in anchors or a gas pressure nail gun.  
Stone-grey flame-resistant version to DIN VDE 0471/DIN IEC 695 Part 2-1, test temperature 960 °C.



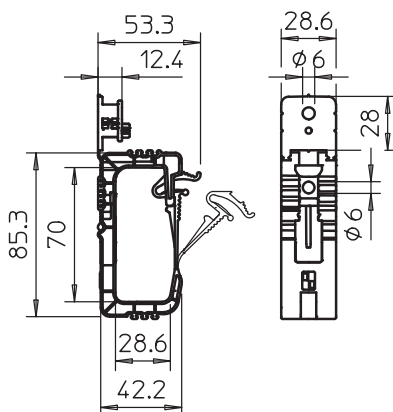
**PP** Polypropylene

Additional product text 1	With multifunctional fastening element. Capacity: 2031/ 20 max. 20 cables NYM 3 x 1.5 mm <sup>2</sup>
---------------------------	--

### Master data

Item no.	2205412
Type	2031 F 20
Description 1	Grip collecting clamp
Description 2	flame-resistant to 960°C
Dimension	20x NYM3x1,5
Colour	Stone grey
RAL number	7030
Material	Polypropylene
Material symbol	PP
Smallest sales unit (VG)	50 Piece
Weight	1,92 kg/100 pc.

### Technical data



No. of conductors NYM 3 x 1.5	20
Flame-resistant version	<input checked="" type="checkbox"/>
Breaking load	0,32 kN
Flame-resistant	acc. to VDE 0471/DIN 695 Part 2-1, test temperature 960°C
Suitable for maintaining electrical function	<input type="checkbox"/>
Halogen-free	<input checked="" type="checkbox"/>
With anchor	<input type="checkbox"/>