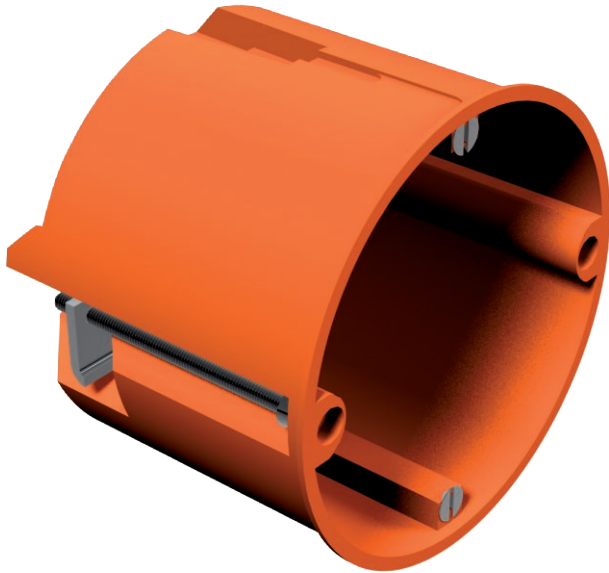


Technical data sheet

Cavity wall accessory/connection socket

Item no. 2003442



Cavity wall device/connection socket. Dimensions to DIN 49073-1, for plate thickness 7–35 mm. Standard combination spacing 71 mm, option for continuous wiring using connection support for combinations between device sockets and device connection sockets, 8 break-out openings for NYM cables, data cables and pipes Ø 20 mm, device sockets can also be used as connection sockets to VDE 0606-1 with double screw fastening and screw-on cover, protection rating IP30.



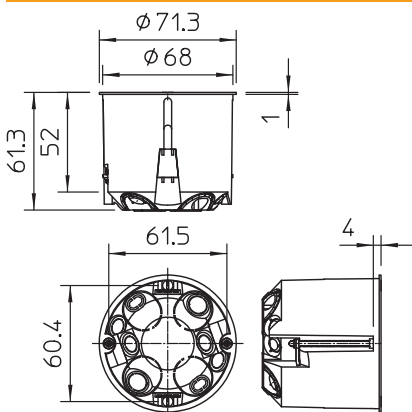
PP Polypropylene

Additional product text 2 According to IEC 60670-1, IEC 60670-22 and DIN 49073-1.

Master data

Item no.	2003442
Type	HV 60
Description 1	Device/connection plug
Description 2	cavity wall
Dimension	Ø68mm, H61mm
Colour	Orange
Material	Polypropylene
Material symbol	PP
Smallest sales unit (VG)	25 Piece
Weight	2,74 kg/100 pc.

Technical data



Height	61,00 mm
Ø	68 Max.
Diameter	68,00 mm
Closable	<input type="checkbox"/>
No. of entries	8
Entries	8
Number of switch boxes	1
Type of entry	break-out openings for NYM cables, data cables and pipes Ø 20 mm
Type of housing penetration	Pre-marking
Version for	Single
Shape	Device connection socket/box
Device fixing	Screws ,
Equipment	Without
Cover	Without
Cover fastening	Not applicable
Entry from rear	<input checked="" type="checkbox"/>
Milling hole diameter	68,00 mm
Flame-resistant	acc. to VDE 0471/DIN 695 Part 2-1, test temperature 850°C
Shape	Round
For pipe diameter	20 mm
Function maintenance (ETIM)	Without

Technical data sheet

Cavity wall accessory/connection socket

Item no. 2003442



Technical data

Floor height	61 mm
Suitable for board thickness	7,00 - 35,00 mm
Accessory screw clearance	60,00 mm
Halogen-free	<input checked="" type="checkbox"/>
Max. conductor cross-section	2,50 mm ²
With screening	<input type="checkbox"/>
With nail strap	<input type="checkbox"/>
With bolts	<input checked="" type="checkbox"/>
Mounting type	Cavity wall
Nominal cross section	1,50 - 2,50 mm ²
Rated voltage	400,00 V
Sealable	<input type="checkbox"/>
Impact-resistant	<input type="checkbox"/>
Protection rating	IP30
Support	Without
Airtight	<input type="checkbox"/>