

Technical data sheet

UP Flush-mounted device box 46, double

Item no. 2003722



Double flush-mounted device box, for use in masonry with an installation depth of at least 46 mm.

- Connector with bayonet lock, couplable on both sides
- 4 combination pipe entries of Ø 20 and 25 mm
- 6 entries up to Ø 20 mm
- 2 entries up to Ø 20 mm in the base

Tested according to DIN EN 60670-1, DIN EN 60670-22 and DIN 49073-1.

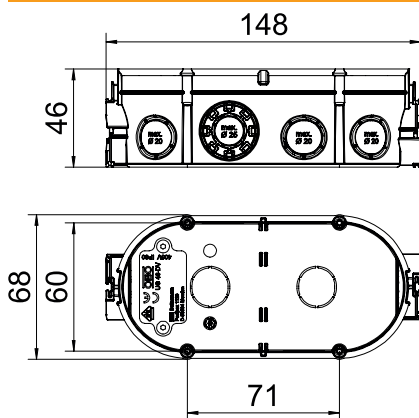


PP Polypropylene

Master data

Item no.	2003722
Type	UG 46-DV
Description 1	UP Flush-mounted device box
Description 2	double combination
Available from	01.10.2021
Dimension	2x Ø60xH46mm
Colour	Jet black / blue-grey
Material	Polypropylene
Material symbol	PP
Smallest sales unit (VG)	10 Piece
Weight	3,72 kg/100 pc.

Technical data



Width	68,00 mm
Height	46,00 mm
Length	148,00 mm
No. of entries	12
Entries	12
Type of entry	NYM cables, data cables and corrugated pipes
Type of housing penetration	Break-out opening
Version for	Double
Shape	Device socket
Device fixing	Screws or spreading claws
Cover	Without
Cover fastening	Screws ,
Entry from rear	<input checked="" type="checkbox"/>
Flame-resistant	acc. to VDE 0471/IEC 60695-2-11, test temperature 650°C
Shape	Oval
For pipe diameter	20/25 mm
Pipe entries Ø 20 mm	8
Combination entries Ø 20 / 25 mm	4
Halogen-free	<input checked="" type="checkbox"/>
With bolts	<input type="checkbox"/>
Nominal cross section	1,50 - 2,50 mm ²
Rated voltage	400,00 V
Impact-resistant	<input checked="" type="checkbox"/>
Protection rating	IP30

Technical data sheet

UP Flush-mounted device box 46, double


Item no. 2003722



Technical data

Airtight

Table 1

				
	1,5 mm ²	2,5 mm ²	1,5 mm ²	2,5 mm ²
	6	5	9	7
	18	15	27	21