

Technical data sheet

UP Flush-mounted device box 46, with nail straps

Item no. 2003714



Flush-mounted device box with nail straps, for use in masonry with an installation depth of at least 46 mm.

- 4 x 3 screw domes
- Connector with bayonet lock, couplable on both sides
- 6 combination pipe insertions of Ø 20 and 25 mm
- 1 entry up to Ø 20 mm in the base

Tested according to DIN EN 60670-1, DIN EN 60670-22 and DIN 49073-1.

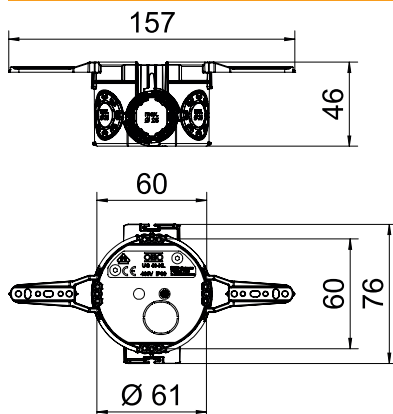


PP Polypropylene

Master data

Item no.	2003714
Type	UG 46-NL
Description 1	UP Flush-mounted device box
Description 2	with nail straps
Available from	01.10.2021
Dimension	Ø60mm, H46mm
Colour	Jet black
Material	Polypropylene
Material symbol	PP
Smallest sales unit (VG)	25 Piece
Weight	2,20 kg/100 pc.

Technical data



Height	46,00 mm
Diameter	60,00 mm
No. of entries	7
Entries	7
Type of entry	NYM cables, data cables and corrugated pipes
Type of housing penetration	Break-out opening
Version for	Single
Shape	Device socket
Device fixing	Screws or spreading claws
Cover	Without
Cover fastening	Screws ,
Entry from rear	<input checked="" type="checkbox"/>
Flame-resistant	acc. to VDE 0471/IEC 60695-2-11, test temperature 650°C
Shape	Round
For pipe diameter	20/25 mm
Pipe entries Ø 20 mm	1
Combination entries Ø 20 / 25 mm	6
Halogen-free	<input checked="" type="checkbox"/>
With nail strap	<input checked="" type="checkbox"/>
With bolts	<input type="checkbox"/>
Nominal cross section	1,50 - 2,50 mm ²
Rated voltage	400,00 V
Impact-resistant	<input checked="" type="checkbox"/>
Protection rating	IP30
Airtight	<input type="checkbox"/>




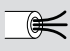
Technical data sheet

UP Flush-mounted device box 46, with nail straps

Item no. 2003714



Table 1

				
	1,5 mm ²	2,5 mm ²	1,5 mm ²	2,5 mm ²
			6	5
			20	15