

Technical data sheet

Concealed accessory/connection box

Item no. 2003023



Device/connection socket with increased socket volume on both sides of the device installation opening to accept connection terminals. Torsion-resistant guaranteed standard combination spacing of 71 mm (to DIN 49 073-1) through snap-lock coupling. Break-out openings for cables and pipes of up to \varnothing 21 mm, low-lying plaster brackets, device bolt spacing 60 mm, for screw fastening with 3.2 mm self-tapping screws, with 4 screw bosses and 2 device screws, protection rating IP20.

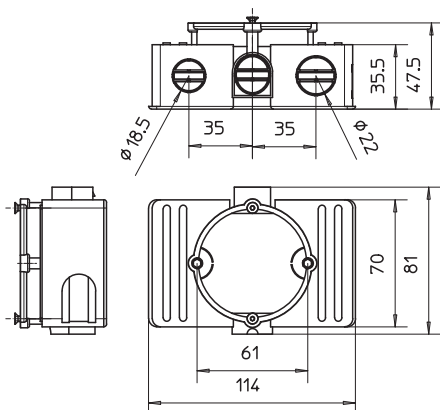


PS Polystyrene

Master data

Item no.	2003023
Type	UG 60 VK
Description 1	Device/connection box
Description 2	concealed
Dimension	70x110x48
Colour	Black
Material	Polystyrene
Material symbol	PS
Smallest sales unit (VG)	10 Piece
Weight	4,60 kg/100 pc.

Technical data



Width	70,00 mm
Height	48,00 mm
Length	110,00 mm
interior \varnothing	60 mm
\varnothing	60 Max.
Diameter	60,00 mm
Closable	<input type="checkbox"/>
No. of entries	8
Entries	8
Number of switch boxes	1
Type of entry	break-out openings for cables and pipes to \varnothing 21 mm
Type of housing penetration	Pre-marking
Version for	Single
Shape	Device connection socket/box
Device fixing	Screws ,
Equipment	Without
Cover	Without
Cover fastening	Not applicable
Entry from rear	<input type="checkbox"/>
Flame-resistant	acc. to VDE 0471/DIN 695 Part 2-1, test temperature 650°C
Shape	Rectangular
For pipe diameter	20 mm
Function maintenance (ETIM)	Without

Technical data sheet

Concealed accessory/connection box

Item no. 2003023



Technical data

Floor height	50 mm
Accessory screw clearance	60,00 mm
Halogen-free	<input checked="" type="checkbox"/>
With screening	<input type="checkbox"/>
With nail strap	<input type="checkbox"/>
With bolts	<input checked="" type="checkbox"/>
Mounting type	Concealed
Nominal cross section	1,50 - 2,50 mm ²
Rated voltage	400,00 V
Sealable	<input type="checkbox"/>
Impact-resistant	<input checked="" type="checkbox"/>
Protection rating	IP20
Support	Tunnel support
Airtight	<input type="checkbox"/>