

Technical data sheet

Flush-mounted device connection socket 66, double version, airtight Item no. 2003723



Double flush-mounted device box, with airtight membrane entries, for use in masonry with an installation depth of at least 67 mm.

- With 4 couplable connectors with bayonet lock
- 4 combination pipe entries of Ø 20 and 25 mm
- 4 entries up to Ø 20 mm
- 14 entries up to Ø 11 mm
- 2 entries up to Ø 20 mm in the base

Tested according to DIN EN 60670-1, DIN EN 60670-22 and DIN 49073-1.

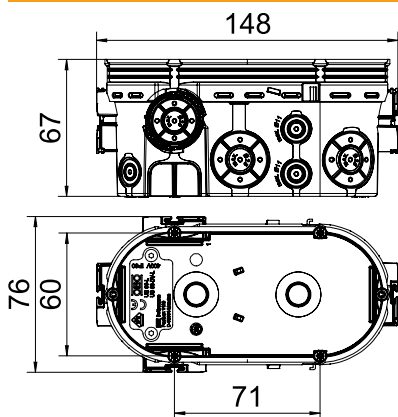


PP/TPE Polypropylene / thermoplastic elastomer

Master data

Item no.	2003723
Type	UG 66-DV-L
Description 1	UP Flush-mounted device box
Description 2	double combination, airtight
Available from	01.10.2021
Dimension	2x Ø61xH67mm
Colour	Jet black / blue-grey
Material	Polypropylene / thermoplastic elastomer
Material symbol	PP/TPE
Smallest sales unit (VG)	10 Piece
Weight	6,06 kg/100 pc.

Technical data



Width	68,00 mm
Height	67,00 mm
Length	148,00 mm
No. of entries	24
Entries	24
Type of entry	NYM cables, data cables and corrugated pipes
Type of housing penetration	Insertion membrane
Version for	Double
Shape	Device connection box
Device fixing	Screws or spreading claws
Cover	Without
Cover fastening	Screws ,
Entry from rear	<input checked="" type="checkbox"/>
Flame-resistant	acc. to VDE 0471/IEC 60695-2-11, test temperature 650°C
Shape	Oval
For pipe diameter	20/25 mm
Pipe entries Ø 11 mm	14
Pipe entries Ø 20 mm	6
Combination entries Ø 20 / 25 mm	4
Halogen-free	<input checked="" type="checkbox"/>
With nail strap	<input type="checkbox"/>
With bolts	<input checked="" type="checkbox"/>
Nominal cross section	1,50 - 2,50 mm ²
Rated voltage	400,00 V

Technical data sheet




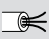
Flush-mounted device connection socket 66, double
version, airtight
Item no. 2003723



Technical data

Impact-resistant	<input checked="" type="checkbox"/>
Protection rating	IP30
Airtight	<input checked="" type="checkbox"/>

Table 1

						
	1,5 mm ²	2,5 mm ²	4 mm ²	1,5 mm ²	2,5 mm ²	4 mm ²
	7	5	4	9	7	5
	21	15	12	27	21	18